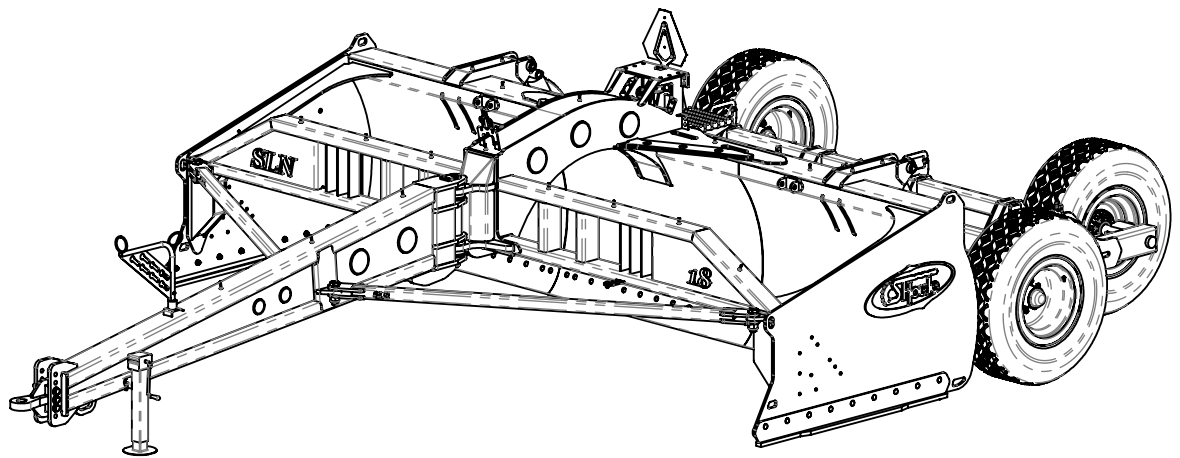




PARTS MANUAL



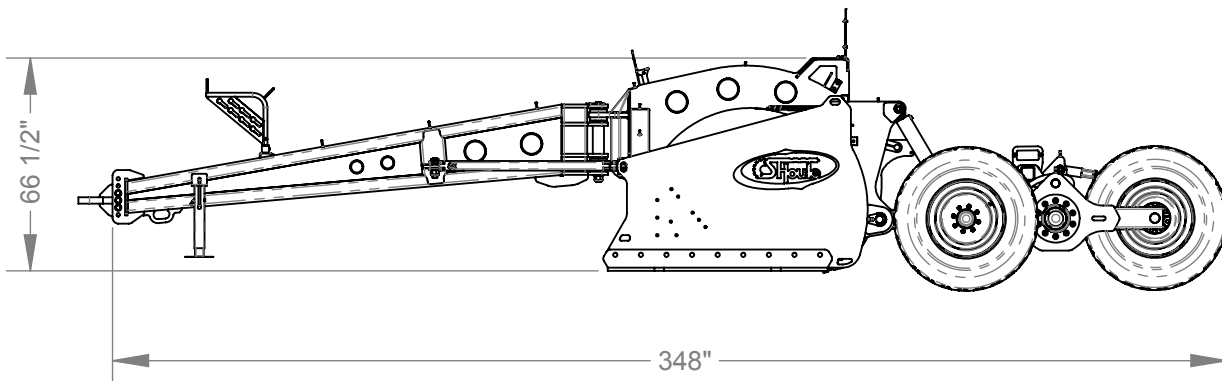
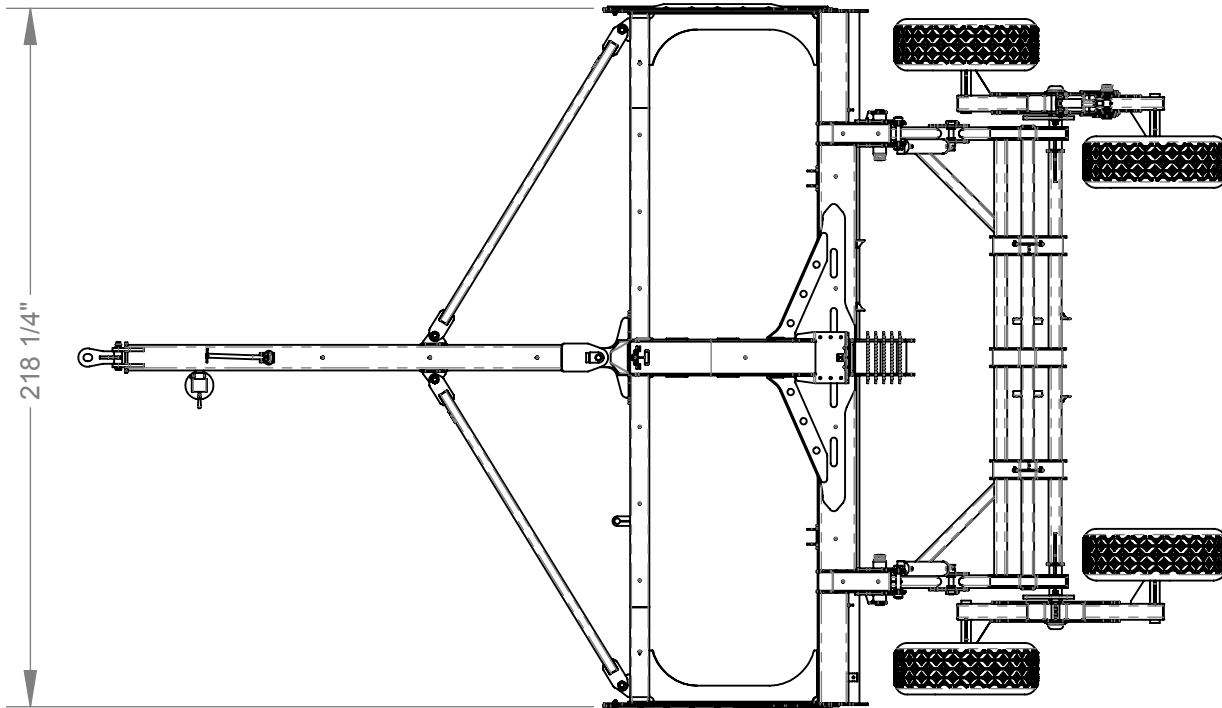
CAT # N0318-60014

**LAND LEVELER SLN-18 STD (ROUND CUTTING EDGE)
N0318-00014**



**LAND LEVELER SLN-18 STD (ROUND CUTTING EDGE)
N0318-00014**

TECHNICAL SHEET



APPROX. WEIGHT : 13200 LBS

Locate this symbol – it could save your life

This symbol is the standard safety symbol. You will find it on most of the decals on your equipment. It is also used throughout this manual.

This symbol is used mainly to draw your attention and to warn you of possible dangers and/or potential injuries.



It is vital that you read and understand completely the following instructions and safety rules prior to using your equipment.



The safety symbol accompanied by the word “ DANGER” indicates an immediate danger capable of causing serious injury or death.



The safety symbol accompanied by the word “ WARNING” indicates a potential danger capable of causing serious injury or death.



The safety symbol accompanied by the word “ CAUTION” indicates a potential danger capable of causing injury.

Being well informed is your best protection against accidents! It is therefore important that you give particular attention to the safety guidelines presented in this manual.

Think SAFETY! Work SAFELY!



As the owner of this equipment, you are responsible for the safety of its users and those who are responsible for its maintenance! You and any other person using or performing maintenance on this equipment must be familiar with its operation and maintenance, as well as the safety measures contained in this manual. Having safe working practices guarantees a safer work environment.

The owner of this equipment must inform any user of all instructions related to proper operation and use of this equipment, prior to first use.

The user must read, understand and respect all operating and safety instructions contained in this manual. A user who is unaware or ignores the operating and safety instructions contained herein is not qualified to operate this equipment, and exposes him/herself and bystanders to possible serious injury and or death.

Do not in any way modify this equipment. Unauthorized modifications could impair the proper functioning and/or safety of this equipment and possibly affect its useful life as well.

General Safety Measures

- 1) Read and understand all operating and safety instructions and guidelines contained in this manual prior to using, maintaining or adjusting the equipment.
- 2) Ensure all safety guards and shields are properly installed prior to using the equipment.
- 3) Always have a first aid kit within reach, and know how to use it.
- 4) Always have a fire extinguisher within reach, and know how to use it.
- 5) Wear appropriate safety gear, such as: hard hat, safety boots, safety goggles, gloves, ear plugs, etc.
- 6) Clear the area of people, especially children, prior to engaging the equipment.



- 1† Lower the land leveler, stop the tractor' s engine, set controls to neutral, engage the emergency brake, remove the tractor' s ignition key and wait for all moving parts to come to a full stop prior to adjusting, detaching or servicing the land leveler.
- 2† Keep hands, feet, hair and all clothing away from all moving parts and/or rotating parts.
- 3† Do not allow passengers on the land leveler or tractor.
- 4† Do not remove protective guards or shields† Ensure they are in place and properly attached.
- 5† Clear the area of all people, especially small children, prior to engaging the land leveler and/or the tractor.
- 6† Be extremely cautious while servicing or while near high pressure hydraulic systems. Ensure all components are fully sealed and in good working order prior to operating the equipment.
- 7† Ensure all reflectors, lights and the safety triangle are clean prior to transportation on public roads† Check with local authorities to ensure you are compliant with all lighting requirements.

Maintenance Safety

In addition to reading and fully understanding this manual, you should:

- 1† Lower the land leveler, stop the tractor' s engine, set controls to neutral, engage the emergency brake, remove the tractor' s ignition key and wait for all moving parts to come to a full stop prior to adjusting, detaching or servicing the land leveler.
- 2† Keep hands, feet, hair and all clothing away from all moving parts.
- 3† Clear the area of all people, especially small children, prior to engaging the land leveler and/or the tractor.
- 4† Place safety stands or blocks underneath the frame prior to removing the tires or working underneath the land lever.



- 5† Be extremely cautious while servicing or while near high pressure hydraulic systems† Ensure all components are fully sealed and in good working order prior to operating the equipment. Wear appropriate safety gear to protect your eyes and hands† Use a piece of wood or cardboard as a shield when examining a hose or fitting for a leak.
- 6† Always relieve pressure prior to disconnecting or servicing hydraulics
- 7† Always use original parts when any need replacing
- 8† Do not in any way modify this equipment, its components or its intended use† Fabrication S.Houle inc. will not be held responsible should breakage or injury occur as a result of using any non-approved parts or accessories
- 9† Do not operate equipment that is defective or that has parts missing
- 10† Inspect nuts and bolts regularly and ensure they are tightly secure.

Hydraulic System Safety

In addition to reading and fully understanding this manual, you should:

- 1† Always set the hydraulic controls to neutral prior to disassembling the hydraulic system.
- 2† Be extremely cautious while servicing or while near high pressure hydraulic systems† Ensure all components are fully sealed and in good working order prior to operating the equipment. Wear appropriate safety gear to protect your eyes and hands† Use a piece of wood or cardboard as a shield when examining a hose or fitting for a leak.

Transportation Safety

In addition to reading and fully understanding this manual, you should:

- 1† Check with local authorities to ensure you are compliant with all machinery transportation safety requirements.



Storage Safety

- 1⚡ Store the land leveler in an area well away from human activity.
- 2⚡ Store the land leveler in the lowered position.
- 3⚡ Do not allow children to play near the stored land leveler.

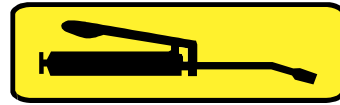
Tire Safety

- 1⚡ Failure to follow appropriate directions while installing a tire on a wheel or rim may result in a blow-out, which could cause serious injury or death.
- 2⚡ Never attempt to install a tire unless you have the materials and equipment required and have appropriate experience to do so.
- 3⚡ See a well known tire repair facility or dealer for any repair or maintenance work required.



Greasing

Locate the greasing decals (see illustration on right)



- 1† Use a manual grease gun
- 2† Clean the couplers and fittings with a clean cloth prior to lubricating
- 3† Replace and repair damaged or broken couplers
- 4† If couplers are difficult to lubricate, remove them so as to be able to clean them thoroughly, and replace them if necessary. Also clean the lubricant passageway
- 5† Inject lubricant until the excess is expelled through the bearing or bushing areas.

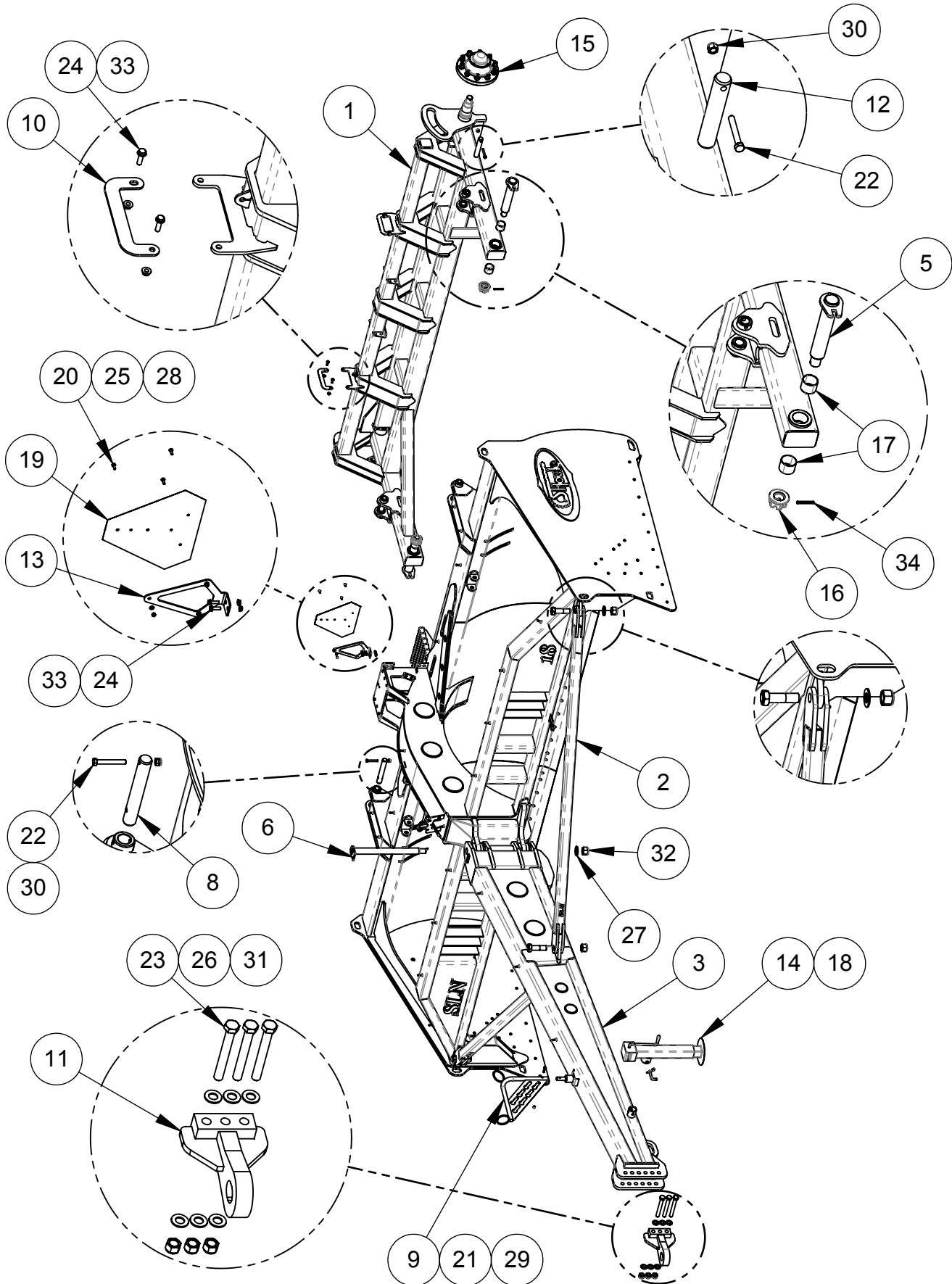
Types of Lubricants

Grease

Use an SAE multi-purpose high temperature grease with extreme pressure (EP) performance† A lithium-based SAE multi-purpose grease is also acceptable.



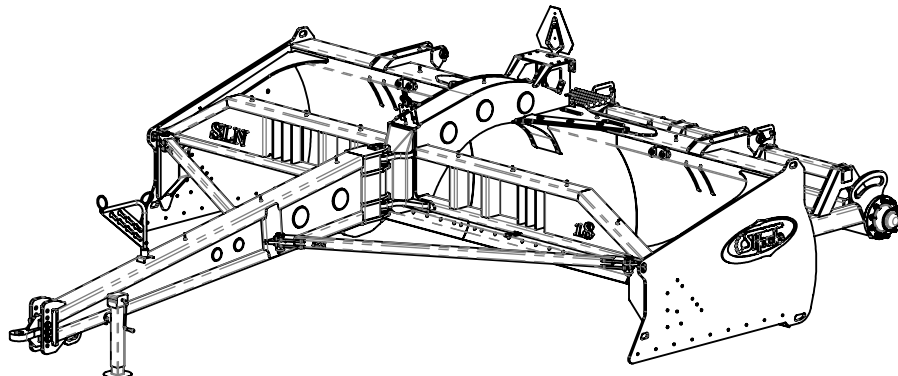
LAND LEVELER FRAME SLN-18 KIT (ROUND CUTTING EDGE) N0318-05E14





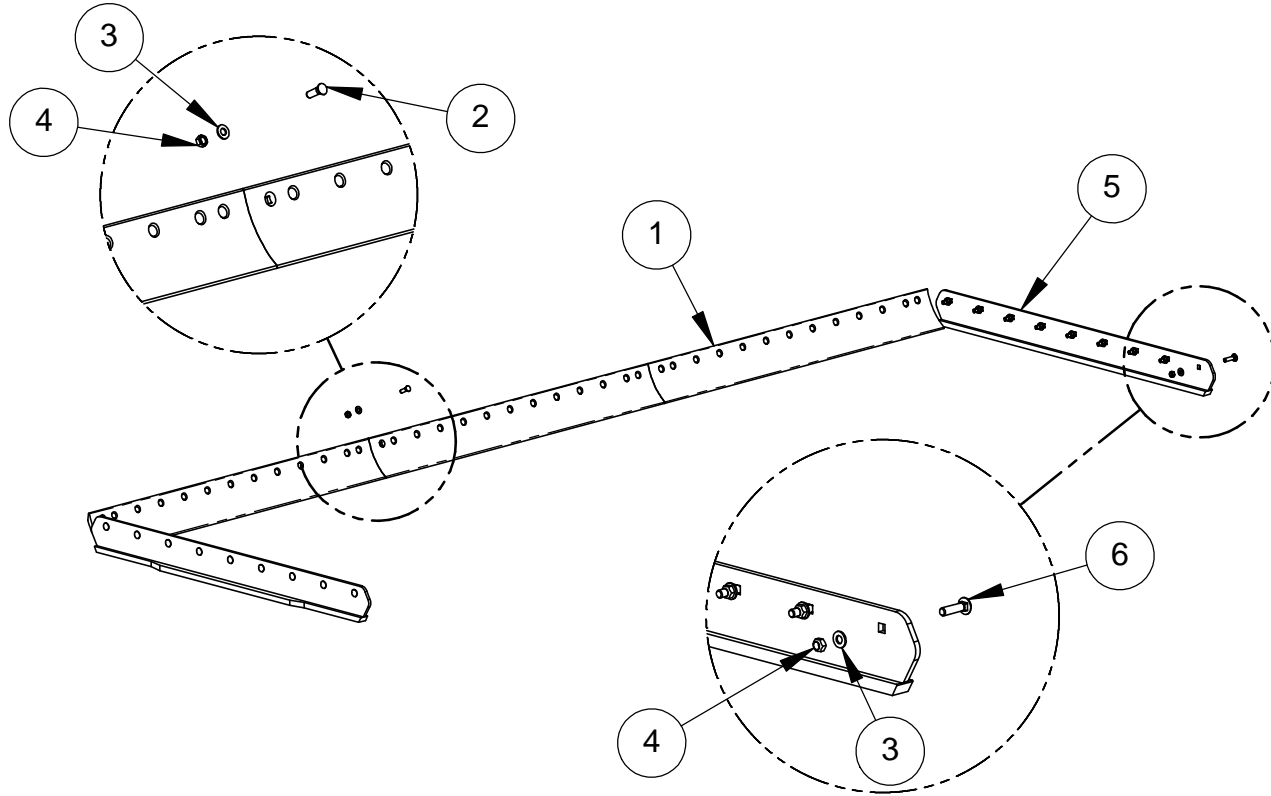
LAND LEVELER FRAME SLN-18 KIT (ROUND CUTTING EDGE) N0318-05E14

ITEM	NO	DESCRIPTION	QTY
1	N-01117	LAND LEVELER SLN-18T SWING ARM	1
2	N-05170	REINFORCEMENT ARM SLN-18	2
3	N-05166	LAND LEVELER SLN DRAW BAR	1
4	N-05191	LAND LEVELER SLN-18 FRAME	1
5	N-25006	PIN 2 1/2' X 12 1/2" LG	2
6	N-25009	PIN 2" X 24 1/4" LG	1
7	N-25041	PIN 1 1/2" X 5" LG	4
8	N-25052	PIN 1 1/2" X 10 1/4" LG (1 HOLE)	2
9	N-43014	SWIVEL HOSE SUPPORT	1
10	N-43016	REINFORCEMENT BAR LOCK DEVICE (LN & SLN)	2
11	UN-20033	HITCH CAT.4 (WELD)	1
12	UN-25009-3	PIN 1 1/2" X 8" LG (1 HOLE)	2
13	UN-36001	SMV HOLDER	1
14	UN-43005	JACK 8800 LBS ASS'Y	1
15	01002-4	1600 LBS HUB	2
16	01008-5	CASTEL NUT 1 3/4-12 UN	2
17	34016	PLAIN BEARING G300 2 1/2"ID X 2" LG	4
18	35011	BENT PULL PIN 5/8" X 3"	1
19	36002	SLOW MOVING VEHICLE SIGN (SMV)	1
20	45AA004200012	HEX BOLT 1/4-20NC x 3/4" GR5	3
21	45AA006160200	HEX BOLT 3/8-16NC x 2" GR5	1
22	45AA008130308	HEX BOLT 1/2-13NC X 3 1/2" GR5	4
23	45AB100080800	HEX BOLT 1"-8NC X 8" GR8	3
24	45AE006160104	WHIZ-LOCK BOLT 3/8-16NC X 1 1/4"	6
25	46AB004	HARDENED FLAT WASHER 1/4"	6
26	46AB100	HARDENED FLAT WASHER 1"	6
27	46AB108	HARDENED FLAT WASHER 1 1/2"	4
28	47AB00420	NYLON LOCK NUT 1/4-20 NC	3
29	47AB00616	NYLON LOCK NUT 3/8"-16NC	1
30	47AB00813	NYLON LOCK NUT 1/2-13 NC	4
31	47AB10008	NYLON LOCK NUT 1"-8NC	3
32	47AB10806	NYLON NUT 1 1/2-6NC	5
33	47AE00616	FLANGE NUT 3/8-16NC	6
34	49AA060300	SPRING PIN 3/8" X 3"	2





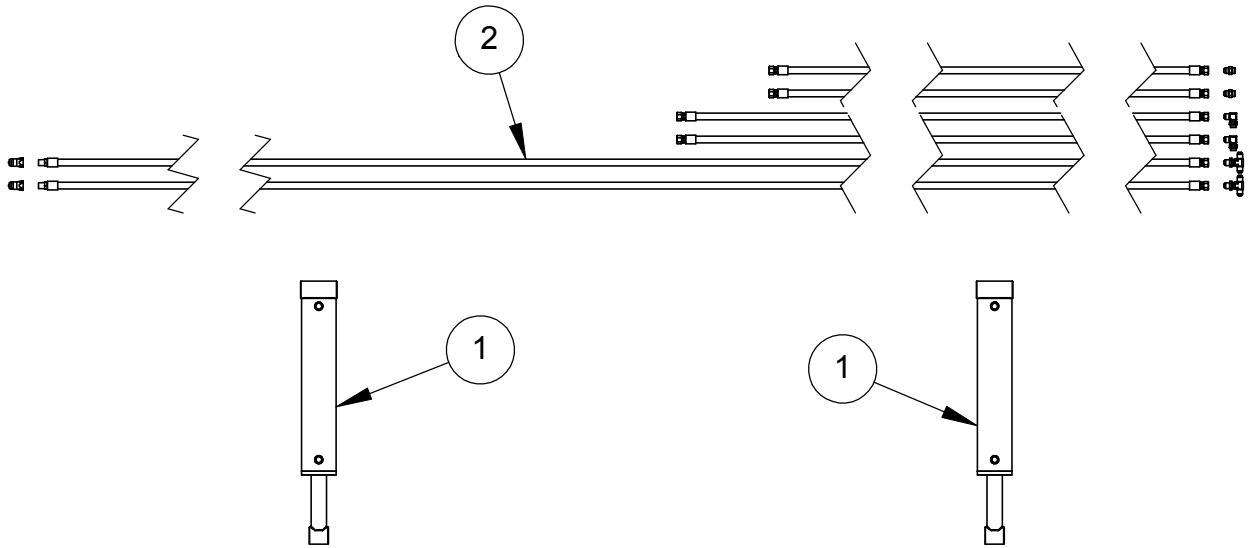
LAND LEVELER SLN-18 ROUND KNIFE KIT N0318-21E10



#	P. NUMBER	DESCRIPTION	QTY
1	21021-2	ROUND CUTTING EDGE 3/4" X 8" X 6' (5/8")	3
2	45CA010110200	SCRAPER BOLT DOME HEAD 5/8"-11NC X 2" GR5	39
3	46AB010	HARDENED FLAT WASHER 5/8	57
4	47AC01011	STOVER LOCK NUT 5/8-11NC	57
5	N-21048		2
6	45CD010110208	CARRIAGE BOLT 5/8"-11NC X 2 1/2" GR8	18

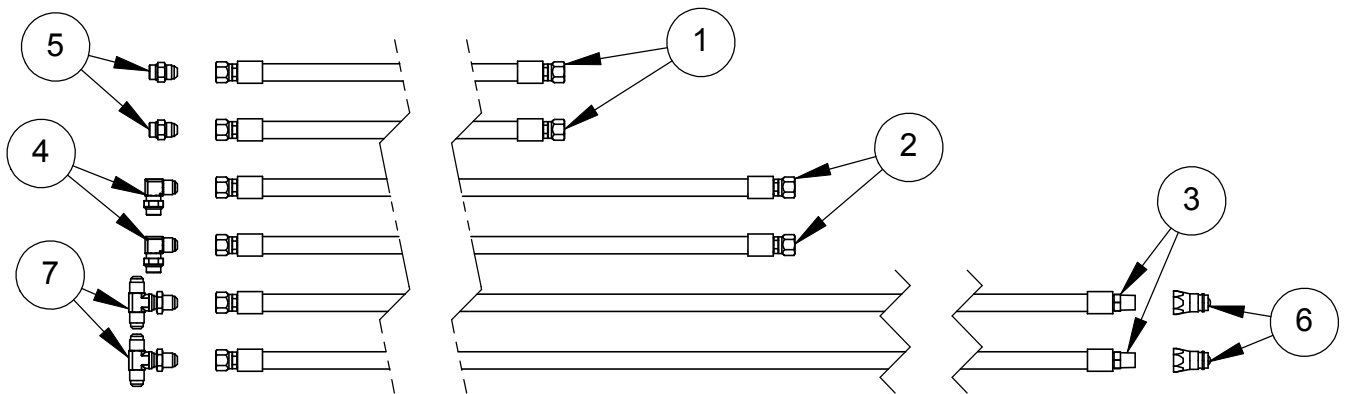


SLN-18 SWING ARM HYD. KIT N0318-31E01



#	P. NUMBER	DESCRIPTION	QTY
1	30004-2	HYD. CYLINDER 4" X 16" (3000 PSI) (BUSHING)	2
2	N0318-29E01	HYDRAULIC HOSES KIT SLN18 (SWING ARM)	1

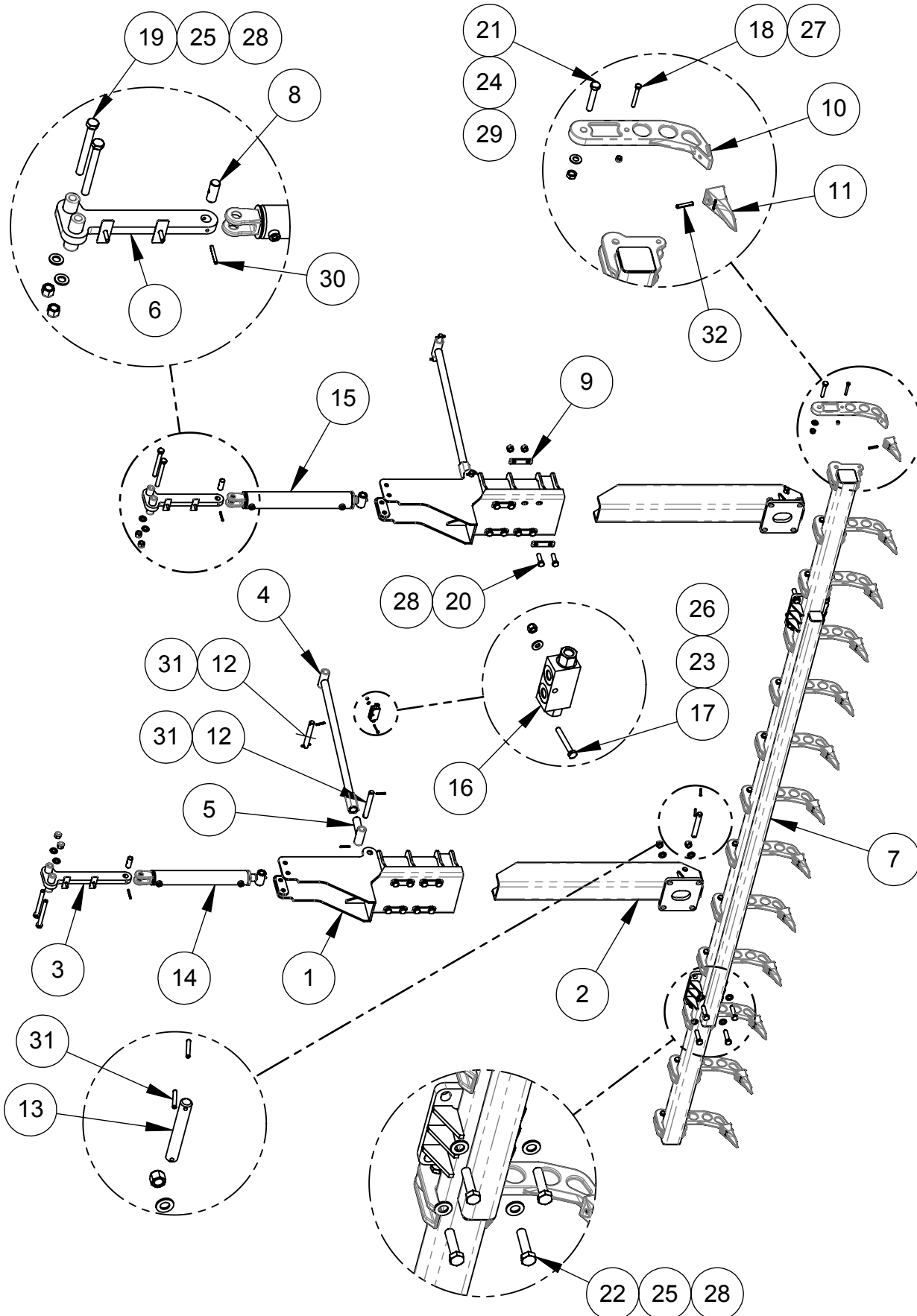
N0318-29E01



#	P. NUMBER	DESCRIPTION	QTY
1	UN-29009-120	HYD. HOSE 1/2" LP 1/2" JIC(F) x 1/2" JIC(F) X 120"	2
2	UN-29009-132	HYD. HOSE 1/2" LP 1/2" JIC(F) x 1/2" JIC(F) X 132"	2
3	UN-29008-288	HYD. HOSE 1/2" LP 1/2" JIC(F) x 1/2" NPT(M) X 288"	2
4	31013-16	ADAP. 1/2" ORB(M) / 1/2" JIC(M)(90)	2
5	31014-14	ADAP. 1/2" JIC(M) / 1/2" ORB(M)(STR)	2
6	31016	QUICK COUPLER MALE 1/2"NPT(F) (S71-4)	2
7	31021-3	BULK HEAD ADAP. 1/2" JIC(M) / 1/2" JIC(M) / 1/2" JIC(M)(TE)(LOCK NUT)	2



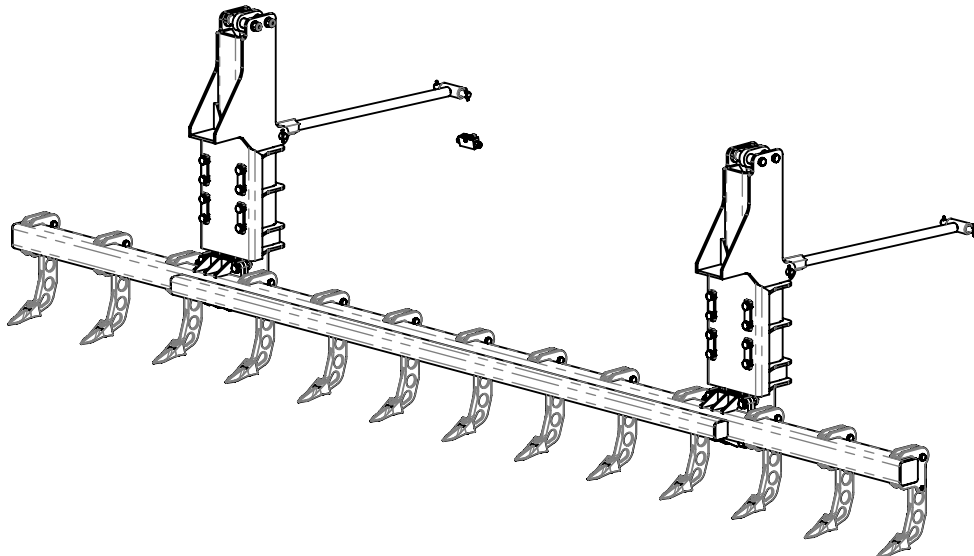
SCARIFIER TEETH ASS SLN-18 N0318-21E08





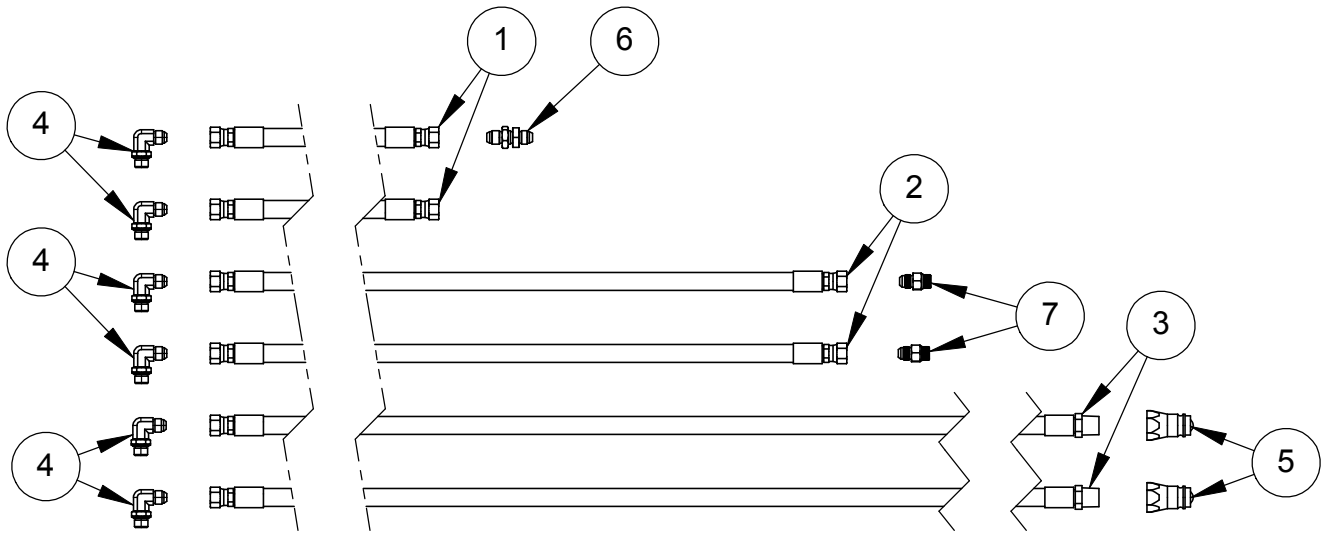
SCARIFIER TEETH ASS SLN-18 N0318-21E08

#	P. NUMBER	DESCRIPTION	QTY
1	N-05153	SCARIFIER POST (SLN)	2
2	N-05154	SCARIFIER SLIDING POST	2
3	N-05028	HYDR. CYLINDER SUPPORT	1
4	N-05030	TIE BAR	2
5	N-05031	TIE ROD	2
6	N-05077	HYDR. CYLINDER SUPPORT	1
7	N-21039	SCARIFIER TEETH SUPPORT LN-18 / SLN-18	1
8	N-25014	PIN 1" X 2 1/2" LG	2
9	N-28002	3/4" DOUBLE FALT WASHER	16
10	UN-21001	SCARIFIER TIP HOLDER	13
11	UN-21002	SCARIFIER TIP	13
12	UN-25001-11	PIN 1" X 7 3/8" (2 HOLES)	4
13	UN-25001-36	PIN 1" X 6 3/4" (2 HOLES)	2
14	UN-30556	IN LINE HYDR. CYLINDER 2 1/2" X 16" , CL100 X BU100	1
15	UN-30580	IN LINE HYDR. CYLINDER 3" X 16" , CL100 X BU100	1
16	31069	DOUBLE PILOT OPERATED CHECK VALVE (3/8" ORB)	1
17	45AA004200200	HEX BOLT 1/4-20NC x 2" GR5	1
18	45AA006160300	HEX BOLT 3/8-16NC X 3" GR5	13
19	45AA012100700	HEX BOLT 3/4-10NC x 7" GR5	4
20	45AA012100208	HEX BOLT 3/4-10NC X 2 1/2" GR5	16
21	45AA010110308	HEX BOLT 5/8-11NC X 3 1/2" GR5	13
22	45AA012100300	HEX BOLT 3/4-10NC X 3" GR5	8
23	46AB004	HARDENED FLAT WASHER 1/4"	1
24	46AB010	HARDENED FLAT WASHER 5/8	13
25	46AB012	HARDENED FLAT WASHER 3/4"	20
26	47AB00420	NYLON NUT 1/4-20NC	1
27	47AB00616	NYLON LOCK NUT 3/8"-16NC	13
28	47AB01210	NYLON NUT 3/4-10NC	28
29	47AC01011	STOVER LOCK NUT 5/8-11NC	13
30	49AA050208	SPRING PIN 5/16" x 2 1/2"	2
31	49AA050200	SPRING PIN 5/16" X 2"	12
32	49AA060200	SPRING PIN 3/8" x 2"	13
33	N0318-29E03	HYDRAULIC HOSES KIT SLN-18 (SCARIFIER TEETH)	1





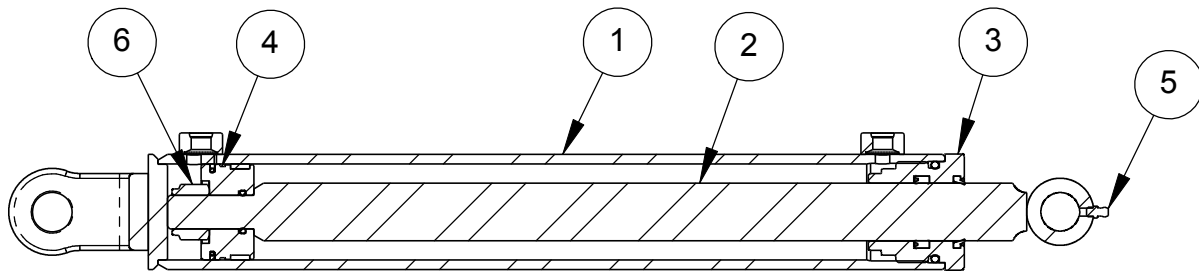
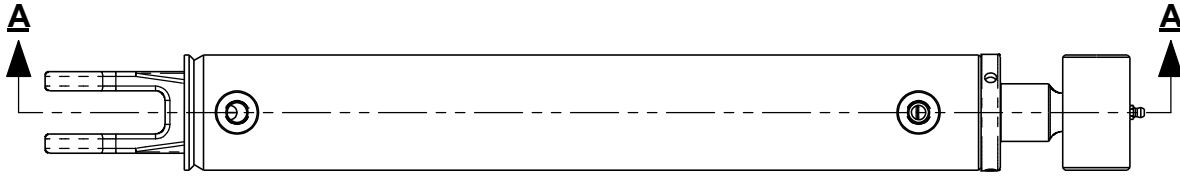
HYDRAULIC HOSES KIT SLN-18 (SCARIFIER TEETH) N0318-29E03



#	P. NUMBER	DESCRIPTION	QTY
1	UN-29001-096	HYD. HOSE 3/8" LP 3/8" JIC(F) x 3/8" JIC(F) X 96"	2
2	UN-29001-113	HYD. HOSE 3/8" LP 3/8" JIC(F) x 3/8" JIC(F) X 113"	2
3	UN-29002-228	HYD. HOSE 3/8" LP 3/8" JIC(F) x 1/2" NPT(M) X 228"	2
4	31013-5	ADAP. 3/8" ORB(M) / 3/8" JIC(M)(90)	6
5	31016	QUICK COUPLER MALE 1/2"NPT(F) (S71-4)	2
6	31034-2	ADAP. BULK HEAD 3/8" JIC(M) / 3/8" JIC(M)(STR)(WITH NUT)	1
7	31014-5		2



**IN LINE HYDR. CYLINDER 2 1/2" X 16" , CL100 X BU100
UN-30556**

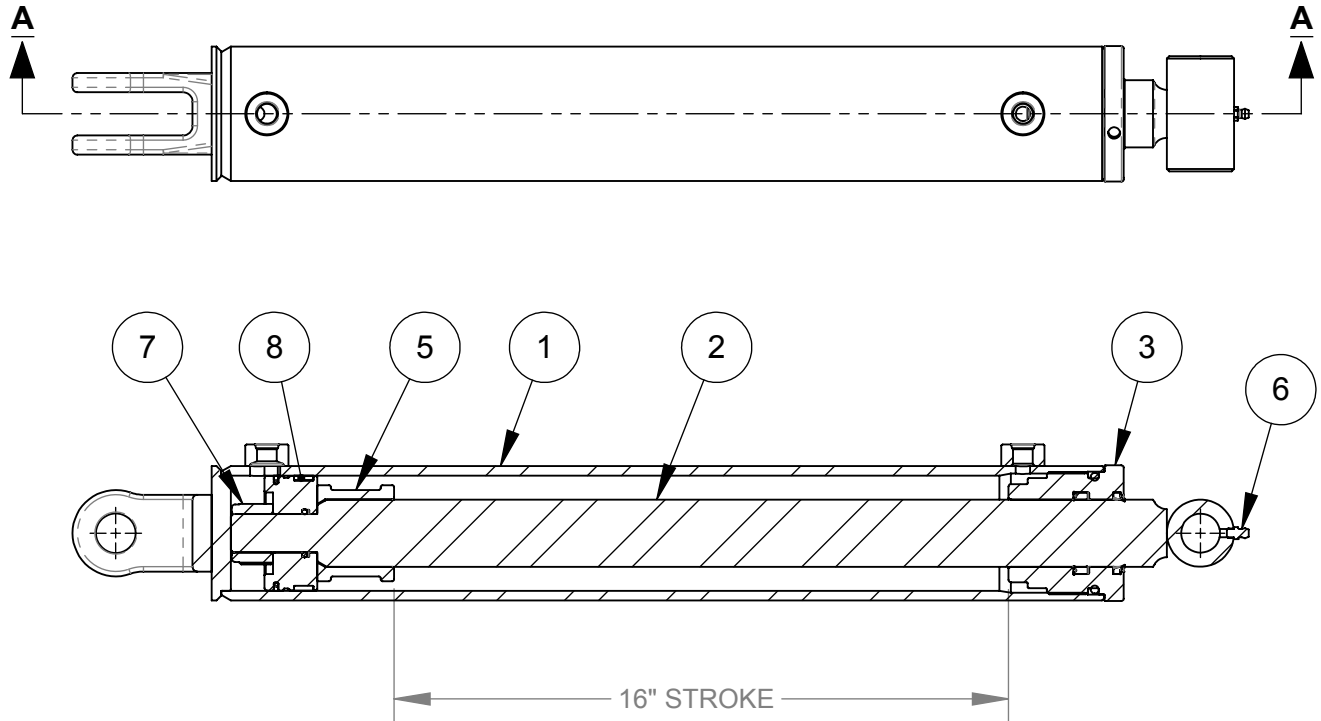


COUPE A-A

#	P. NUMBER	DESCRIPTION	QTY
1	UN-30014-20	IN LINE 2 1/2" TUBING , CL100	1
2	UN-30021-14	ROD 1 1/2" , BU100	1
3	UN-30024	IN LINE CYL. HEAD 2 1/2" X 1 1/2" ROD	1
4	UN-30026-2	IN LINE 2 1/2" PISTON	1
5	35012-5	GREASE FITTING 1/4-28 NF	1
6	47AB01414	NYLON NUT 7/8-14NF	1
7	UN-30E05	IN LINE HYD. CYL. SEAL KIT 2 1/2" DIA. X 1 1/2" ROD	1



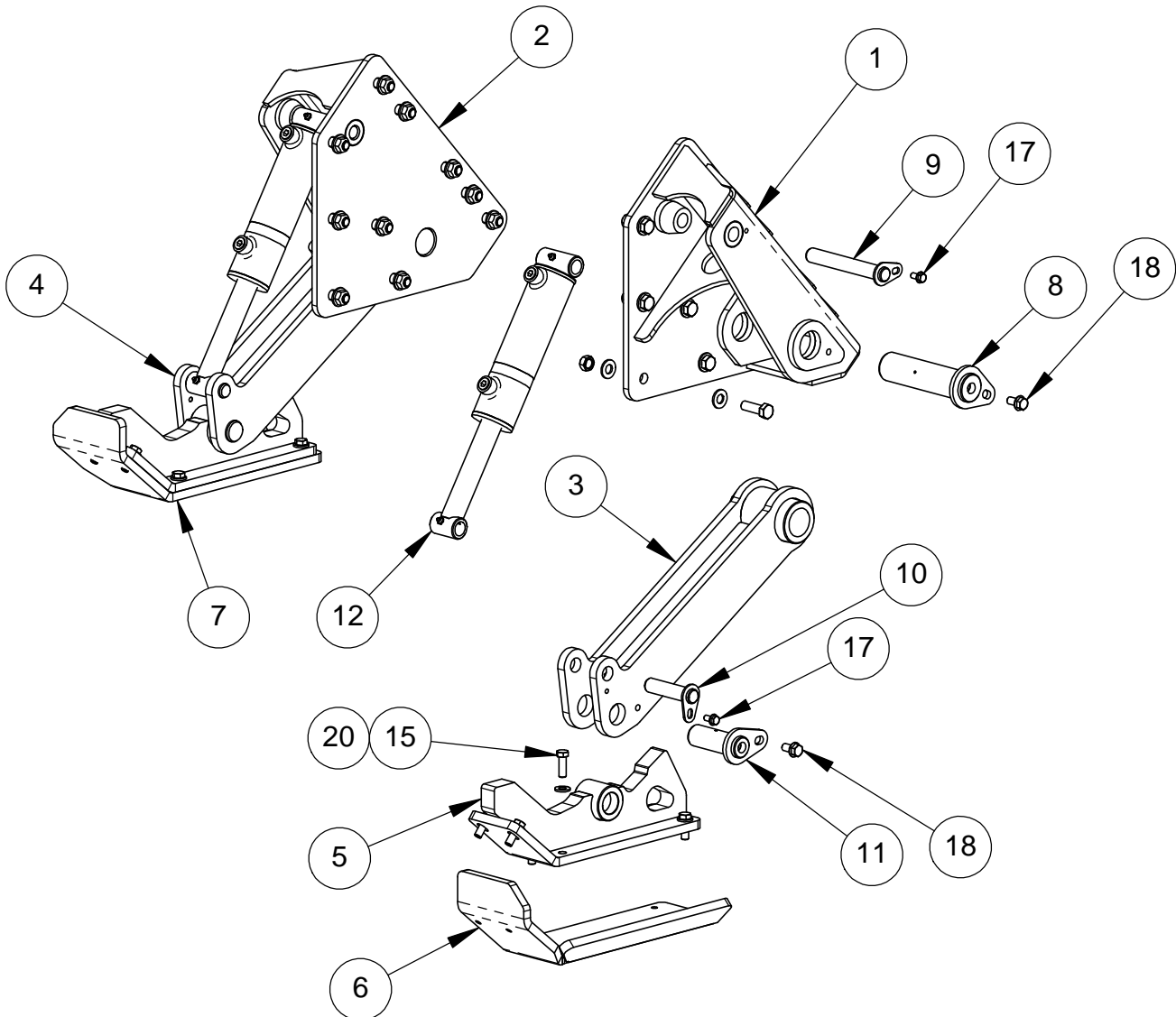
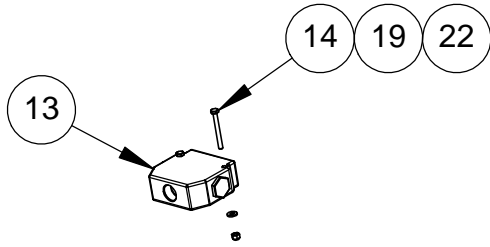
**IN LINE HYDR. CYLINDER 3" X 16" , CL100 X BU100
UN-30580**



#	P. NUMBER	DESCRIPTION	QTY
1	UN-30014-38	IN LINE 3" TUBING , CL100	1
2	UN-30020-53	ROD 1 3/4" , BU100	1
3	UN-30023-4	CYLINDER HEAD 3" STD (1 3/4" ROD)	1
4	UN-30026-4	PISTON 3" IN LINE	1
5	UN-30043-3	SPACER 2" ROD 1 3/4"	1
6	35012-5	GREASE FITTING 1/4-28 NF	1
7	47AB10014	NYLON LOCK NUT 1"-14NF	1
8	UN-30E14	SEAL KIT 3" IN LINE (1 3/4" ROD)	1



STABILIZER SHOES KIT SLN-18 N0318-24E02



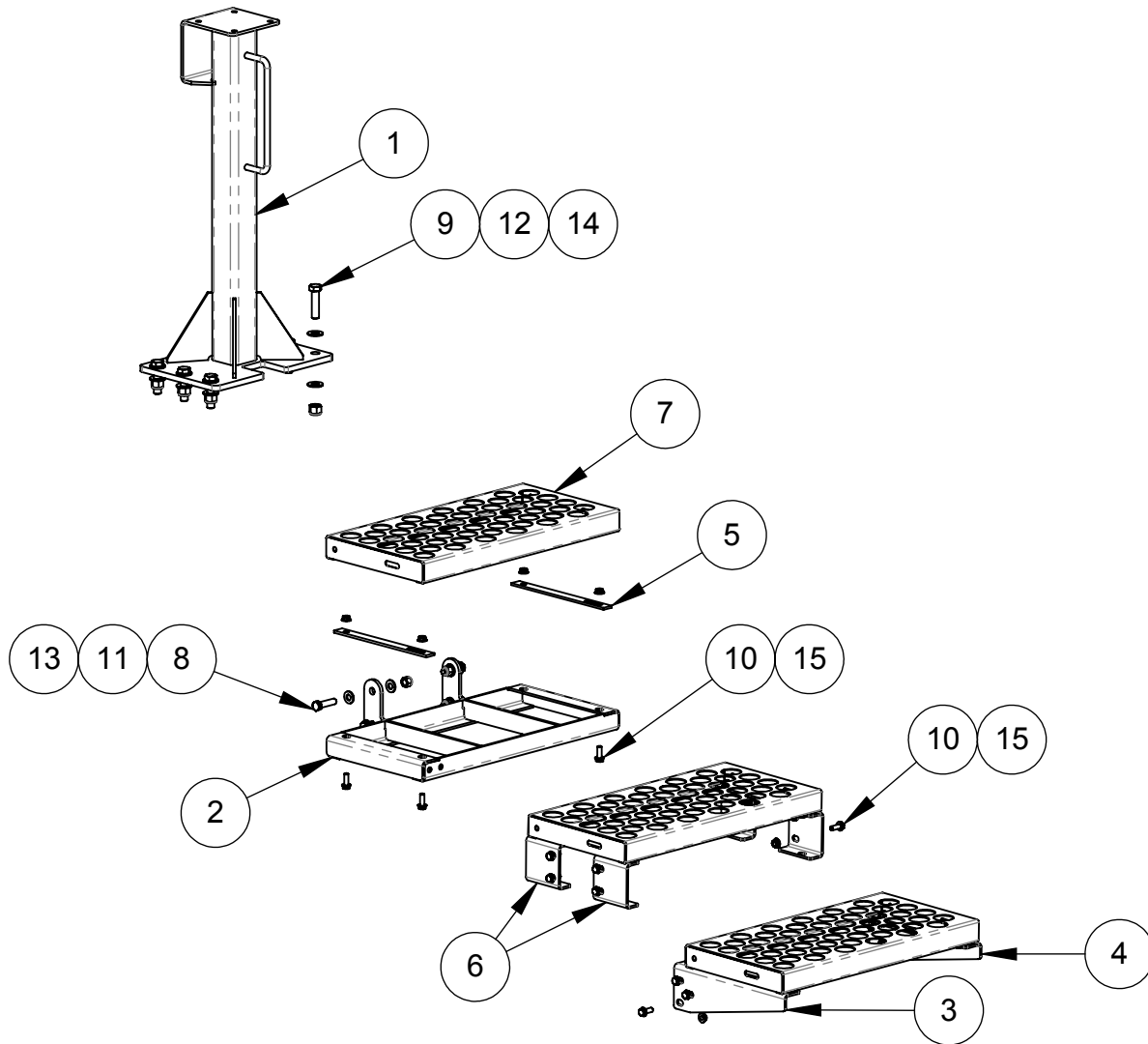


STABILIZER SHOES KIT SLN 18 N0320-24E02

ITEM	NO	DESCRIPTION	QTE
1	N-05111	LEFT SHOES STABILIZER SUPPORT	1
2	N-05112	RIGHT SHOES STABILIZER SUPPORT	1
3	N-05113	LEFT STABILIZER ARMS	1
4	N-05114	RIGHT STABILIZER ARMS	1
5	N-05165	STABILIZER SHOE SUPPORT	2
6	N-24002	RIGHT STABILIZER WEAR SHOE	1
7	N-24003	LEFT STABILIZER WEAR SHOE	1
8	N-25025	PIN 2" X 7 1/2" LG	2
9	N-25026	PIN 1" X 7" LG	2
10	N-25027	PIN 1" X 4" LG	2
11	N-25028	PIN 1 1/2" X 4" LG	2
12	30011-2	HYD. CYLINDER 2 1/2" X 6" (BUSHING)	2
13	31020	PROPORTIONAL FLOW DIVIDER	1
14	45AA004200208	HEX BOLT 1/4-20NC x 2 1/2" GR5	2
15	45AA008130108	HEX BOLT 1/2-13NC X 1 1/2" GR5	12
16	45AA010110200	HEX BOLT 5/8-11NC X 2" GR5	20
17	45AE006160012	WHIZ-LOCK BOLT 3/8-16NC X 3/4"	4
18	45AE008130100	WHIZ-LOCK BOLT 1/2-13NC X 1"	4
19	46AB004	HARDENED FLAT WASHER 1/4"	2
20	46AB008	HARDENED FLAT WASHER 1/2"	12
21	46AB010	HARDENED FLAT WASHER 5/8	40
22	47AB00420	NYLON LOCK NUT 1/4-20 NC	2
23	47AC01011	STOVER LOCK NUT 5/8-11NC	20
24	N-42035	SCARIFIER SHOES DRILL TEMPLATE	1
25	N0318-29E05	HYDRAULIC HOSES KIT SLN20 (STABILIZERS SHOES)	1



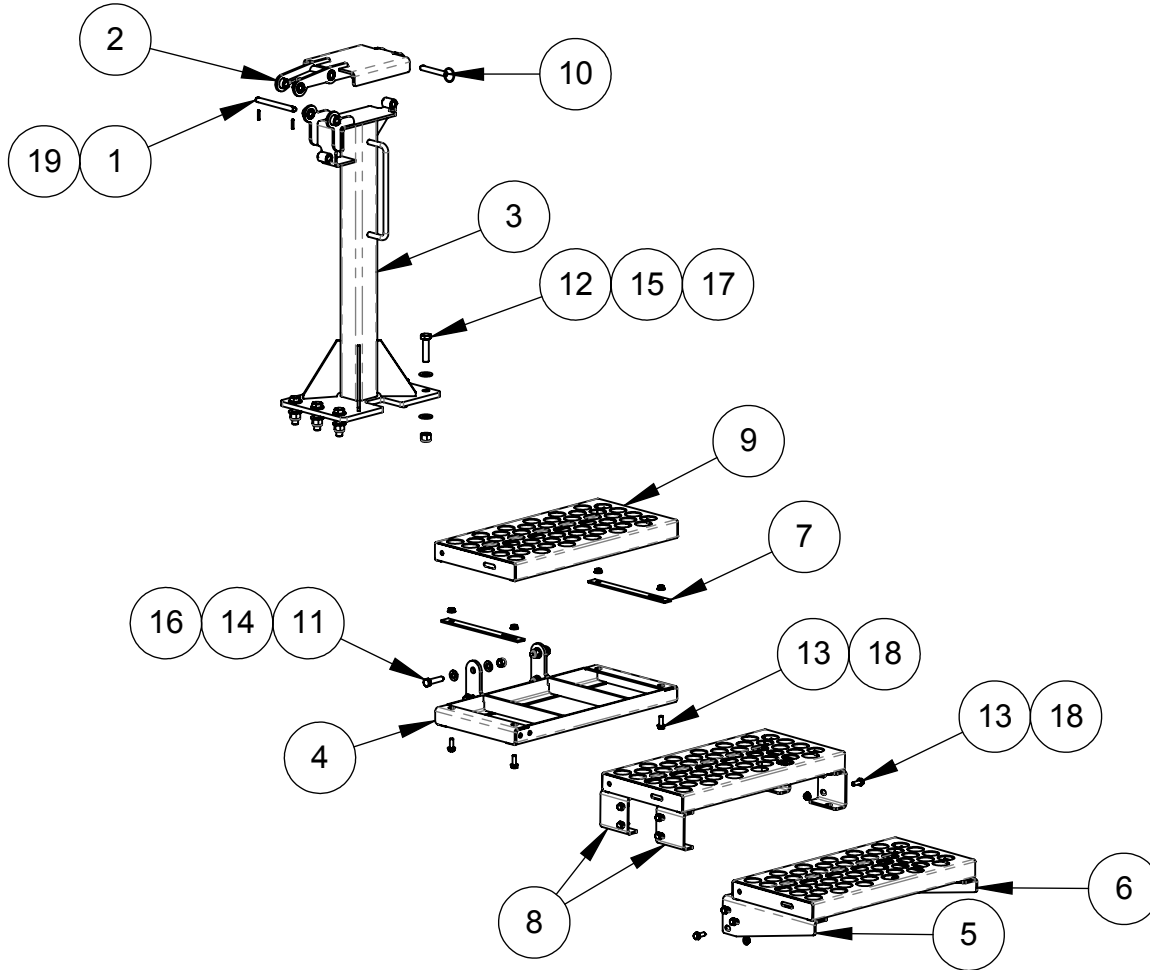
GPS POST AND SECURITY ACCESS KIT (LN / SLN) N-36E08



ITEM	NO	DESCRIPTION	QTY
1	N-05025	GPS POST	1
2	N-18001	STEPLADDER	1
3	UN-18002	STEPLADDER SUPPORT	1
4	UN-18003	STEPLADDER SUPPORT	1
5	UN-18004	STEPLADDER LOCKING DEVICE	6
6	UN-18008	STEPLADDER SUPPORT (PART)	4
7	18001	STEPLADDER 12" X 24"	3
8	45AA008130200	HEX BOLT 1/2-13NC X 2" GR5	4
9	45AA010110208	HEX BOLT 5/8-11NC X 2 1/2" GR5	6
10	45AE006160100	WHIZ-LOCK BOLT 3/8-16NC X 1"	26
11	46AB008	HARDENED FLAT WASHER 1/2"	8
12	46AB010	HARDENED FLAT WASHER 5/8	12
13	47AB00813	NYLON LOCK NUT 1/2-13 NC	4
14	47AB01011	NYLON LOCK NUT 5/8"-11NC	6
15	47AE00616	FLANGE NUT 3/8-16NC	26



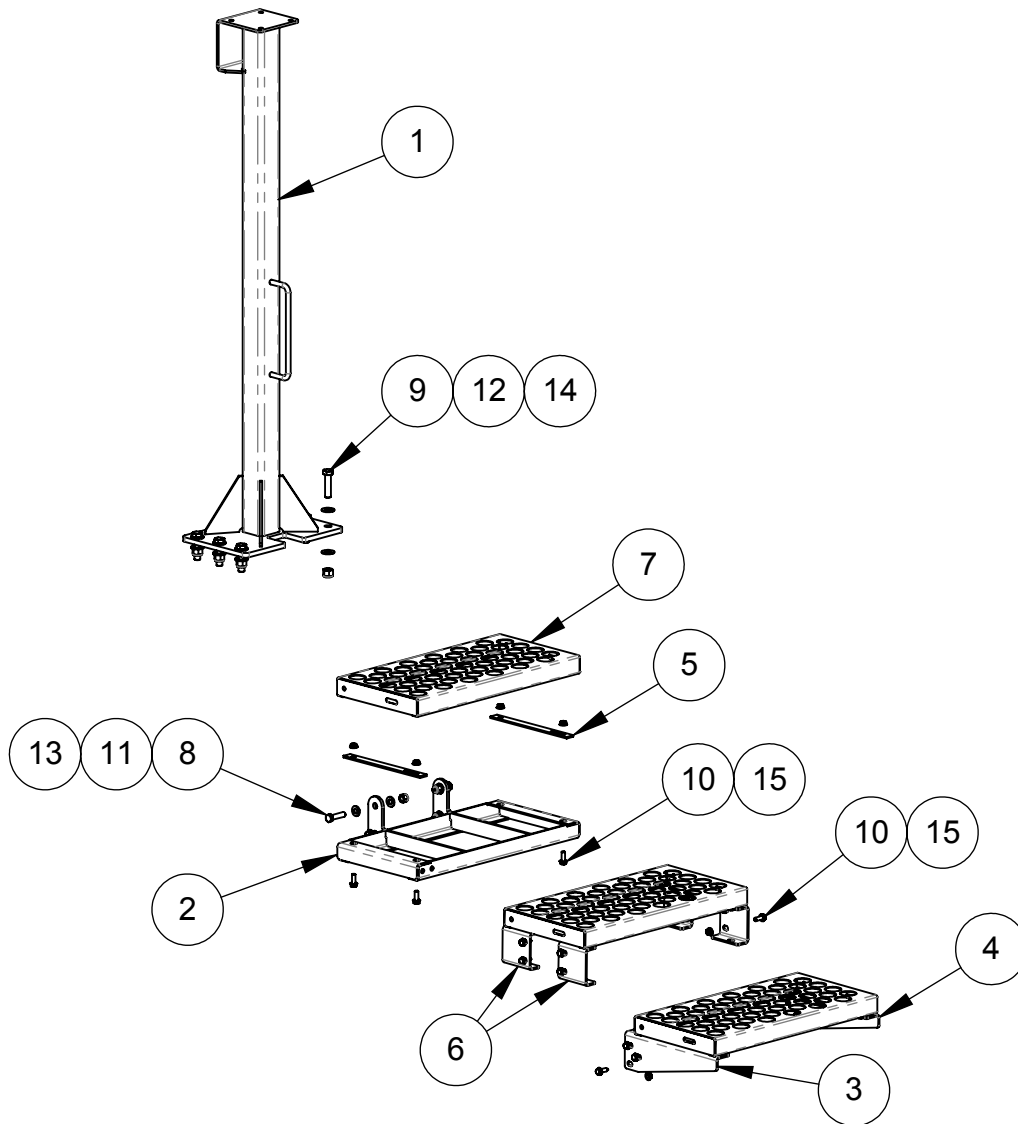
LASER POST AND SECURITY ACCESS KIT (LN / SLN) N-36E09



ITEM	NO	DESCRIPTION	QTY
1	N-36014	PIN 1/2" DIA. X 5 1/2" LG	1
2	N-36013	ROTATING LASER POST SUPPORT	1
3	N-36012	LASER POST	1
4	N-18001	STEPLADDER	1
5	UN-18002	STEPLADDER SUPPORT	1
6	UN-18003	STEPLADDER SUPPORT	1
7	UN-18004	STEPLADDER LOCKING DEVICE	6
8	UN-18008	STEPLADDER SUPPORT (PART)	4
9	18001	STEPLADDER 12" X 24"	3
10	35010-2	QUICK-RELEASE PINS	1
11	45AA008130200	HEX BOLT 1/2-13NC X 2" GR5	4
12	45AA010110208	HEX BOLT 5/8-11NC X 2 1/2" GR5	6
13	45AE006160100	WHIZ-LOCK BOLT 3/8-16NC X 1"	26
14	46AB008	HARDENED FLAT WASHER 1/2"	8
15	46AB010	HARDENED FLAT WASHER 5/8	12
16	47AB00813	NYLON LOCK NUT 1/2-13 NC	4
17	47AB01011	NYLON LOCK NUT 5/8"-11NC	6
18	47AE00616	FLANGE NUT 3/8-16NC	26
19	49AA030100	SPRING PIN 3/16" X 1"	2



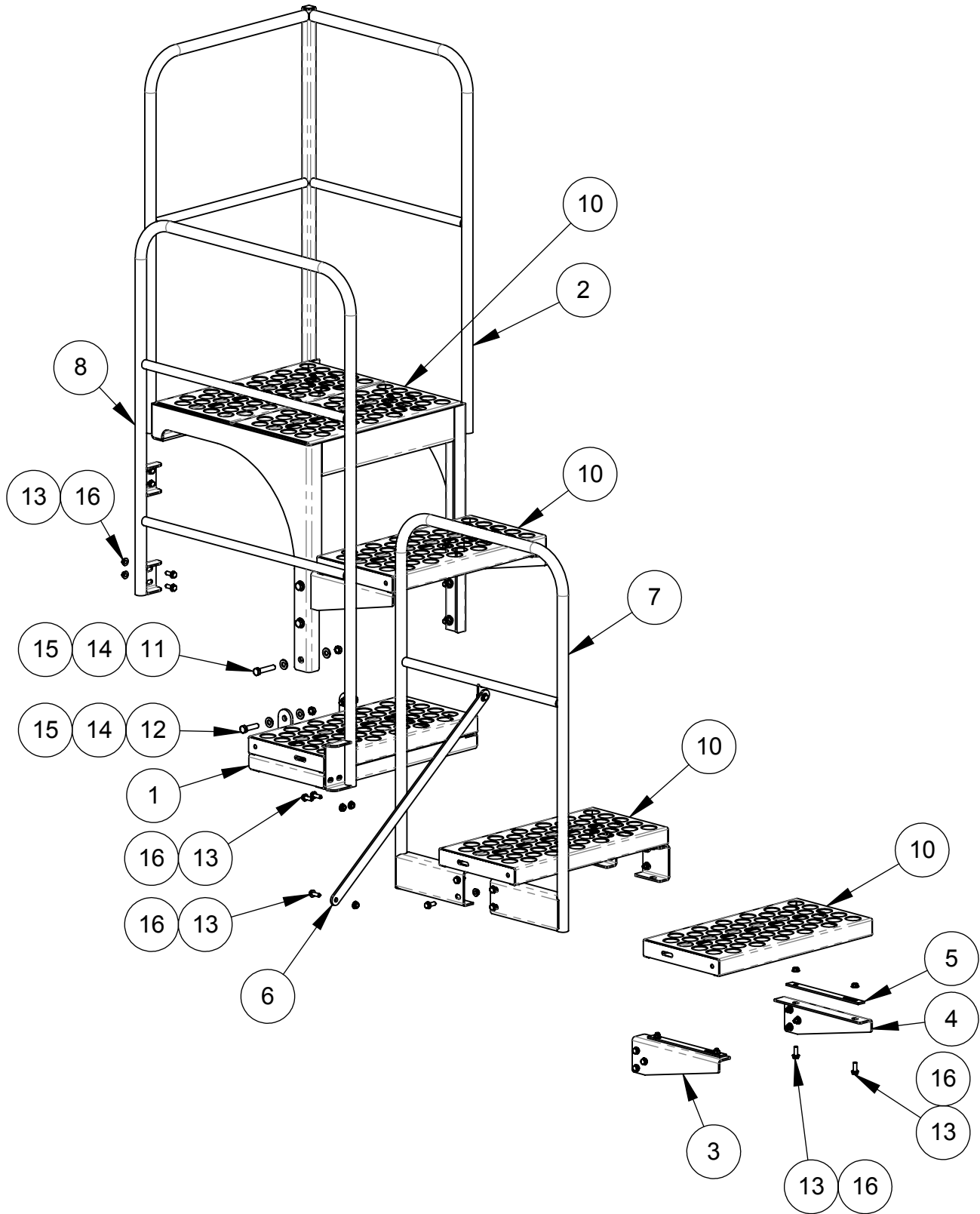
GPS HEIGHT POST AND SECURITY ACCESS KIT (LN / SLN) N-36E10



ITEM	NO	DESCRIPTION	QTY
1	N-05186	GPS POST	1
2	N-18001	STEPLADDER	1
3	UN-18002	STEPLADDER SUPPORT	1
4	UN-18003	STEPLADDER SUPPORT	1
5	UN-18004	STEPLADDER LOCKING DEVICE	6
6	UN-18008	STEPLADDER SUPPORT (PART)	4
7	18001	STEPLADDER 12" X 24"	3
8	45AA008130200	HEX BOLT 1/2-13NC X 2" GR5	4
9	45AA010110208	HEX BOLT 5/8-11NC X 2 1/2" GR5	6
10	45AE006160100	WHIZ-LOCK BOLT 3/8-16NC X 1"	26
11	46AB008	HARDENED FLAT WASHER 1/2"	8
12	46AB010	HARDENED FLAT WASHER 5/8	12
13	47AB00813	NYLON LOCK NUT 1/2-13 NC	4
14	47AB01011	NYLON LOCK NUT 5/8"-11NC	6
15	47AE00616	FLANGE NUT 3/8-16NC	26



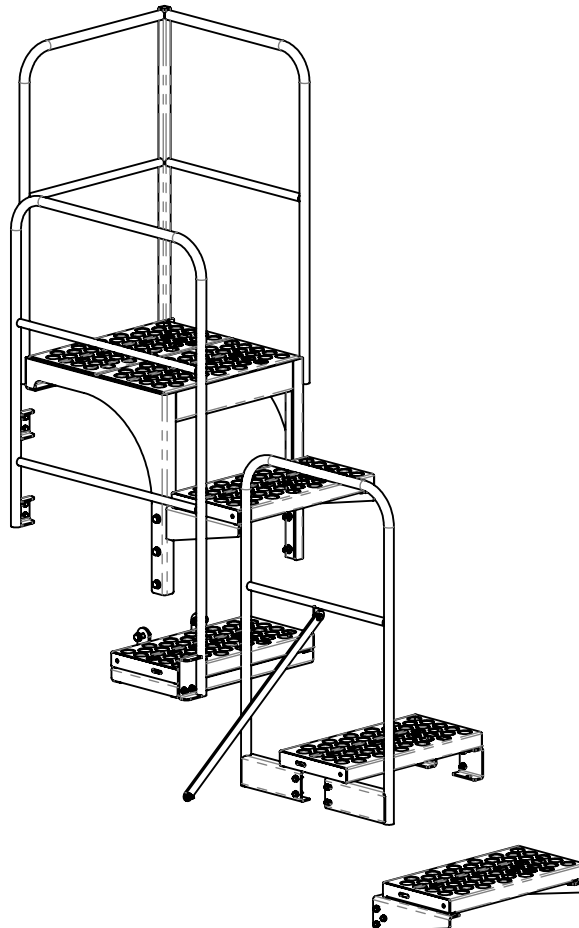
SAFETY ACCESS KIT (SLN) N03-18E01





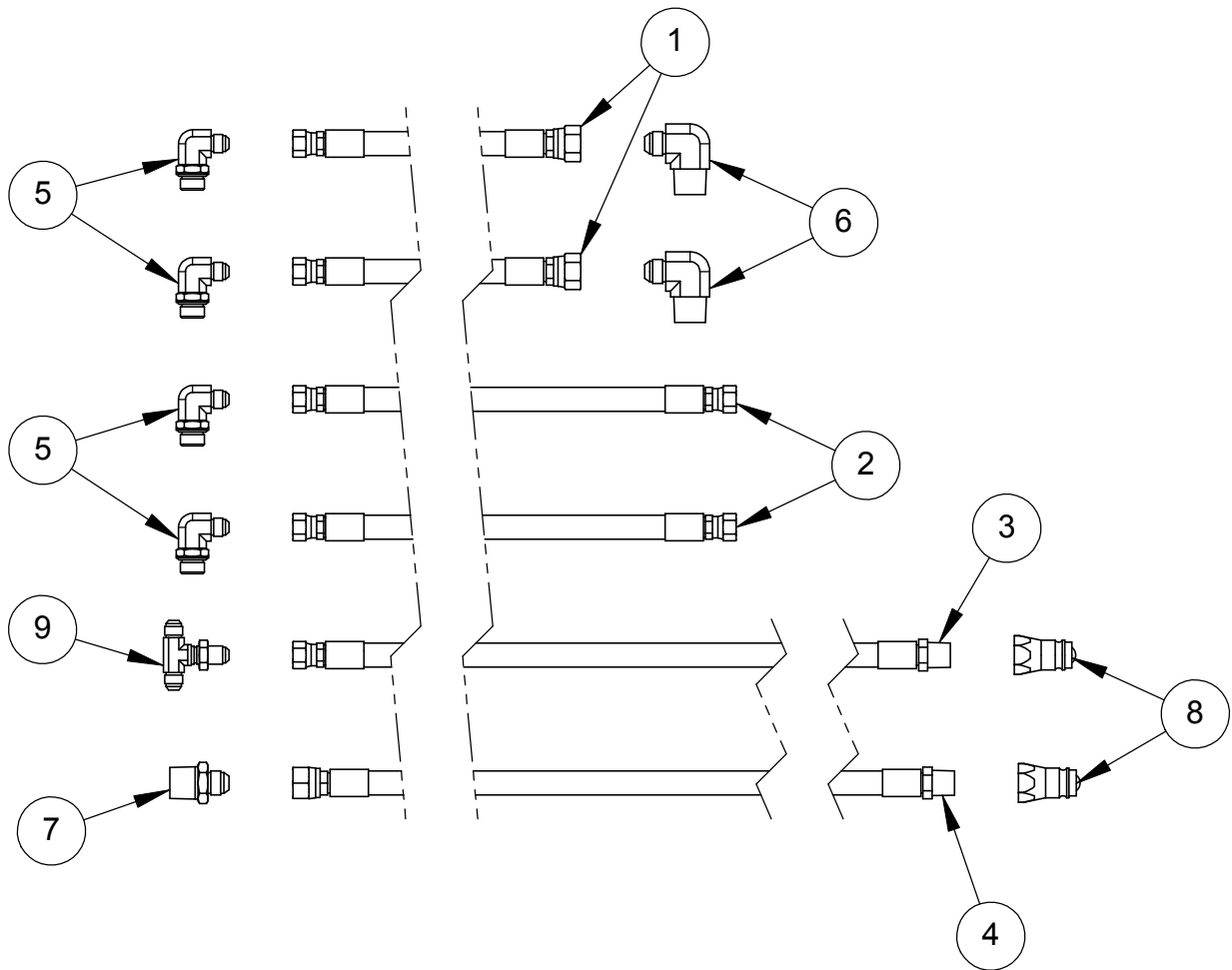
SAFETY ACCESS KIT (SLN) N03-18E01

ITEM	NO	DESCRIPTION	QTY
1	N-18001	STEPLADDER	1
2	N-18002	PLATFORM	1
3	UN-18002	STEPLADDER SUPPORT	1
4	UN-18003	STEPLADDER SUPPORT	1
5	UN-18004	STEPLADDER LOCKING DEVICE	12
6	UN-18005	HAND GUARD SUPPORT	1
7	UN-18006	HAND GUARD	1
8	UN-18007	HAND GUARD	1
9	UN-18008	STEPLADDER SUPPORT (PART)	2
10	18001	STEPLADDER 12" X 24"	6
11	45AA008130208	HEX BOLT 1/2-13NC X 2 1/2" GR5	6
12	45AA008130200	HEX BOLT 1/2-13NC X 2" GR5	4
13	45AE006160100	WHIZ-LOCK BOLT 3/8-16NC X 1"	46
14	46AB008	HARDENED FLAT WASHER 1/2"	20
15	47AC00813	STOVER LOCK NUT 1/2-13NC	10
16	47AE00616	FLANGE NUT 3/8-16NC	46
17	N-45E01	SECURITY ACCESS BOLT KIT (N03-18E01)	1





HYDRAULIC HOSES KIT SLN18 (STABILIZERS SHOES) N0318-29E05

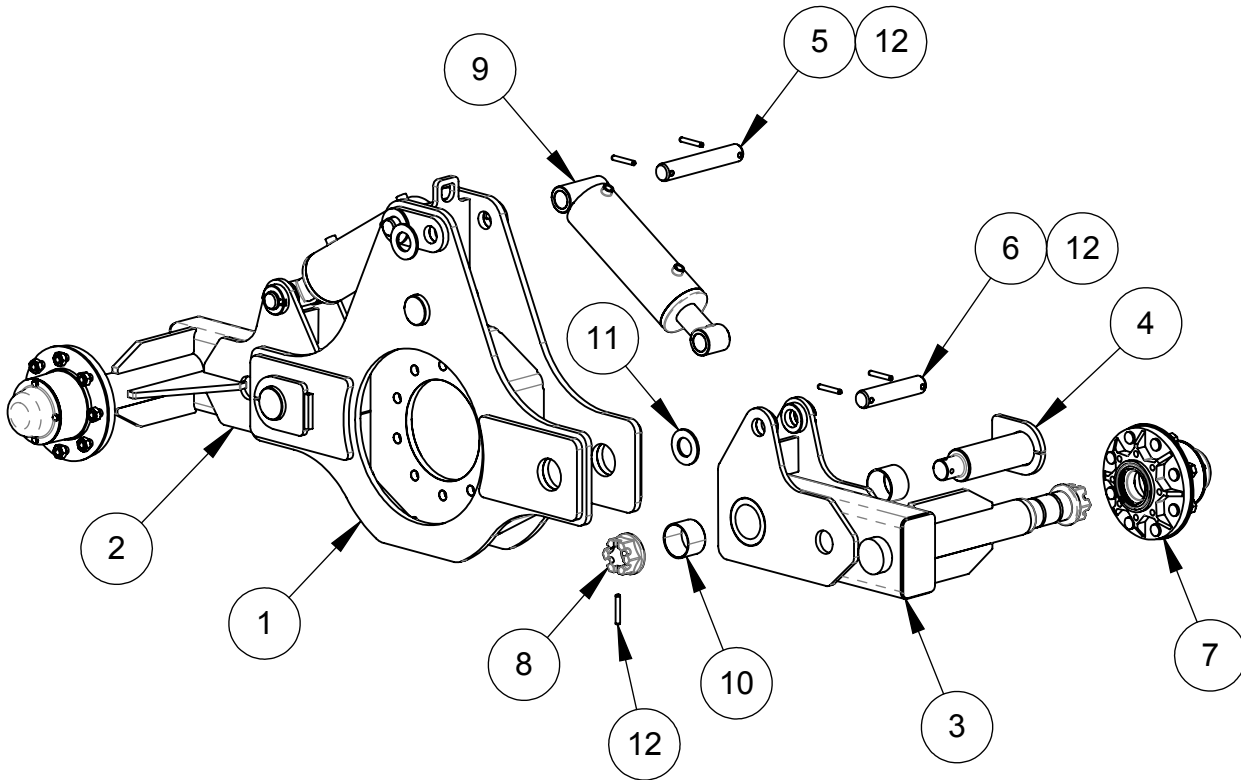


#	P. NUMBER	DESCRIPTION	QTY
1	UN-29003-145	HYD. HOSE 3/8" LP 3/8" JIC(F) x 1/2" JIC(F) X 145"	2
2	UN-29001-150	HYD. HOSE 3/8" LP 3/8" JIC(F) x 3/8" JIC(F) X 150"	2
3	UN-29002-228	HYD. HOSE 3/8" LP 3/8" JIC(F) x 1/2" NPT(M) X 228"	1
4	UN-29012-052	HYD. HOSE 3/8" LP 1/2" JIC(F) x 1/2" NPT(M) X 228"	1
5	31013-2	90° HYD FITTING (1/2"ORB(M) / 3/8"JIC(M))	4
6	31013-7	ADAP. 3/4"NPT(M) / 1/2"JIC(M)(90)	2
7	31014-9	ADAP. 3/4" NPT(M) / 1/2"JIC(M)(STR)	1
8	31016	QUICK COUPLER MALE 1/2"NPT(F) (S71-4)	2
9	31021	BULK HEAD ADAP. 3/8" JIC(M) / 3/8" JIC(M) / 3/8" JIC(M)(TEE) (LOCK NUT)	1



LEFT TILT TANDEM KIT (SLN) (12,000 LBS)

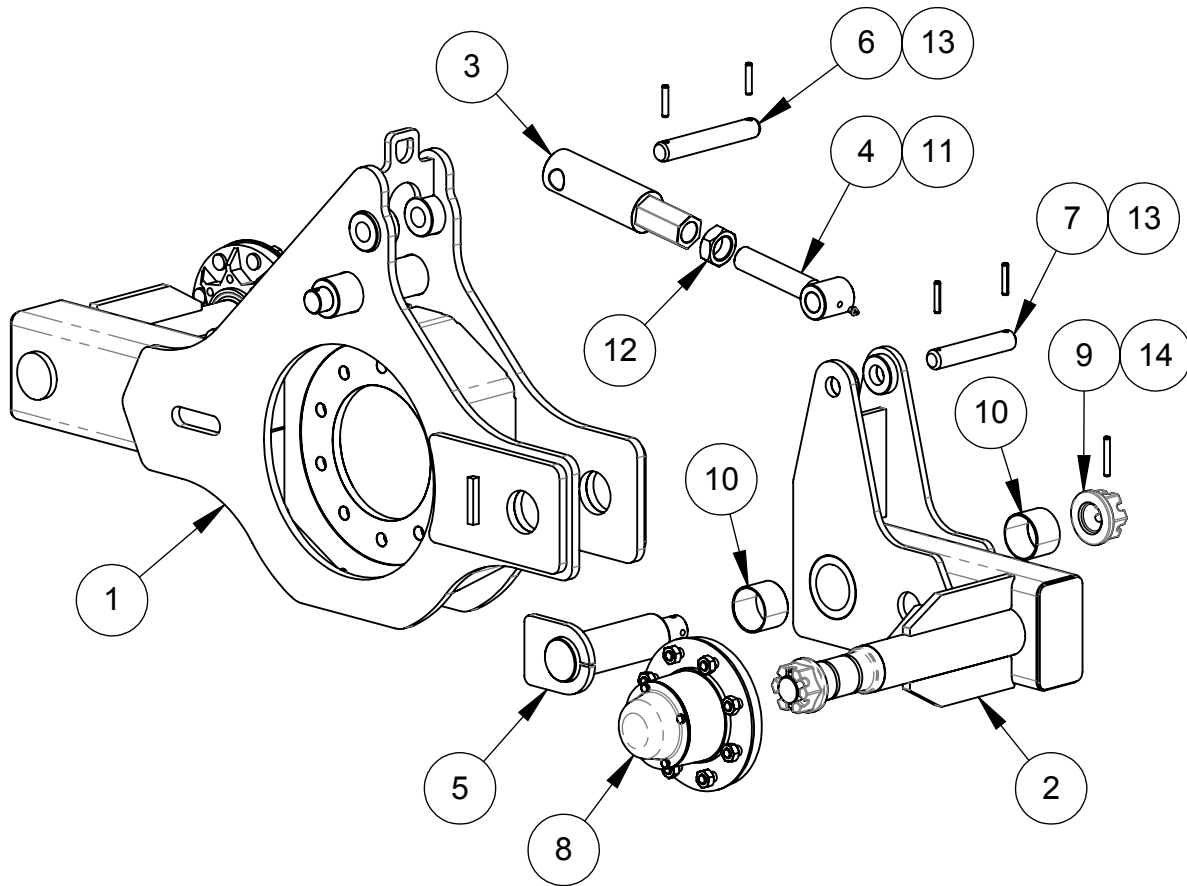
N03-01E12



ITEM	NO	DESCRIPTION	QTY
1	N-01015	LEFT TILT TANDEM (SLN)	1
2	N-01086	LEFT TILT TANDEM (SLN) (12,000 LBS)	1
3	N-01087	LEFT TILT TANDEM (SLN) (12,000 LBS)	1
4	N-25005	PIN 2 3/4" X 9 5/8" LG	2
5	UN-25001-17	PIN 1 1/2" X 9" (2 HOLES)	2
6	UN-25001-18	PIN 1 1/2" X 7" (2 HOLES)	2
7	01002-5	12,00 LBS HUB	2
8	01008-5	CASTEL NUT 1 3/4-12 UN	2
9	30004	HYD. CYLINDER 4" X 8" (BUSHING)	2
10	34016-5	PLAIN BEARING G300 2 3/4" ID. X 2" LG	4
11	46AB108	HARDENED FLAT WASHER 1 1/2"	4
12	49AA060208	SPRING PIN 3/8" X 2 1/2"	10



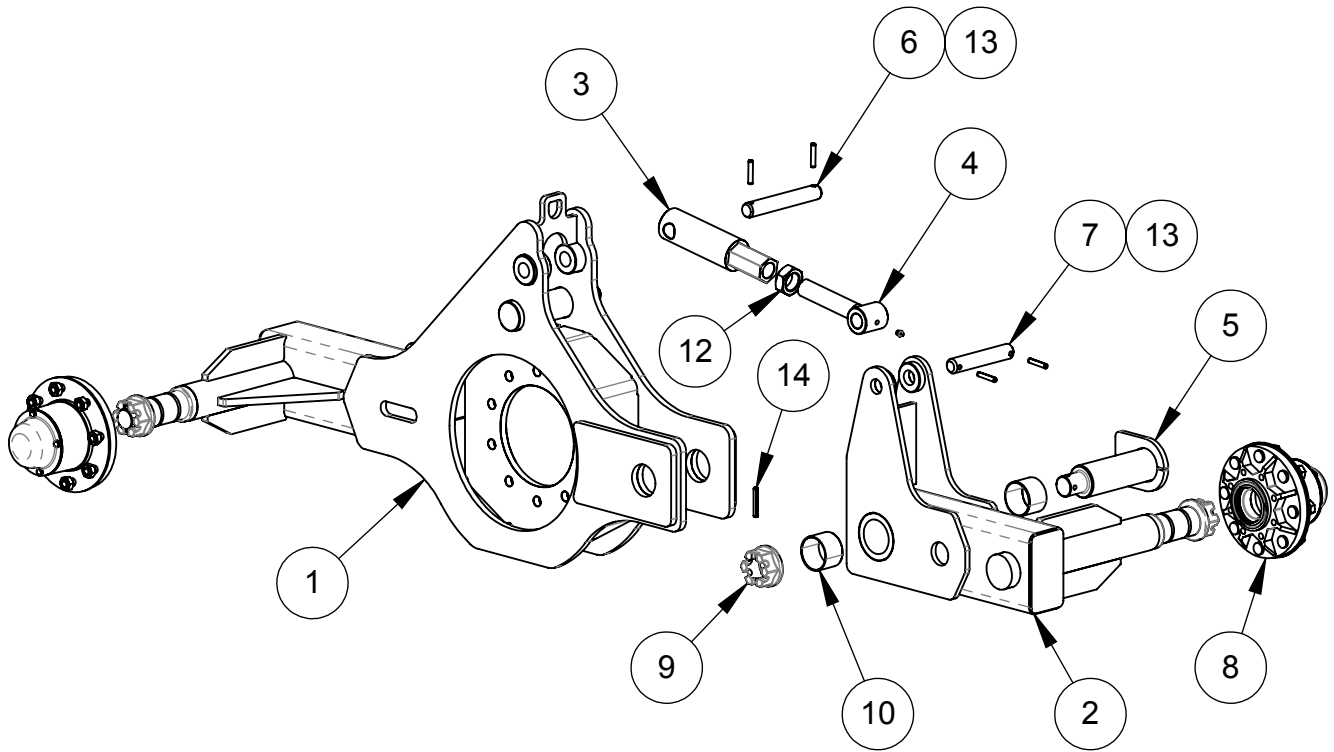
RIGHT AJUSTABLE TANDEM KIT (SLN) (12,000 LBS) N03-01E13



ITEM	NO	DESCRIPTION	QTY
1	N-01088	RIGHT AJUSTABLE TANDEM (SLN) (12,000 LBS)	1
2	N-01089	RIGHT AJUSTABLE TANDEM (SLN) (12,000 LBS)	1
3	N-01018	AJUSTABLE ARM	1
4	N-01019	AJUSTABLE ARM (ROD)	1
5	N-25005	PIN 2 3/4" X 9 5/8" LG	1
6	UN-25001-2	PIN 1 1/4" X 8 3/8" (2 HOLES)	1
7	UN-25001-15	PIN 1 1/4" X 7" (2 HOLES)	1
8	01002-5	12,00 LBS HUB	2
9	01008-5	CASTEL NUT 1 3/4-12 UN	1
10	34016-5	PLAIN BEARING G300 2 3/4" ID. X 2" LG	2
11	35012	STRAIGHT GREASE FITTING 1/8 NPT	1
12	47AF10806	HEX JAM NUT 1 1/2-6NC	1
13	49AA060200	SPRING PIN 3/8" x 2"	4
14	49AA060208	SPRING PIN 3/8" X 2 1/2"	1



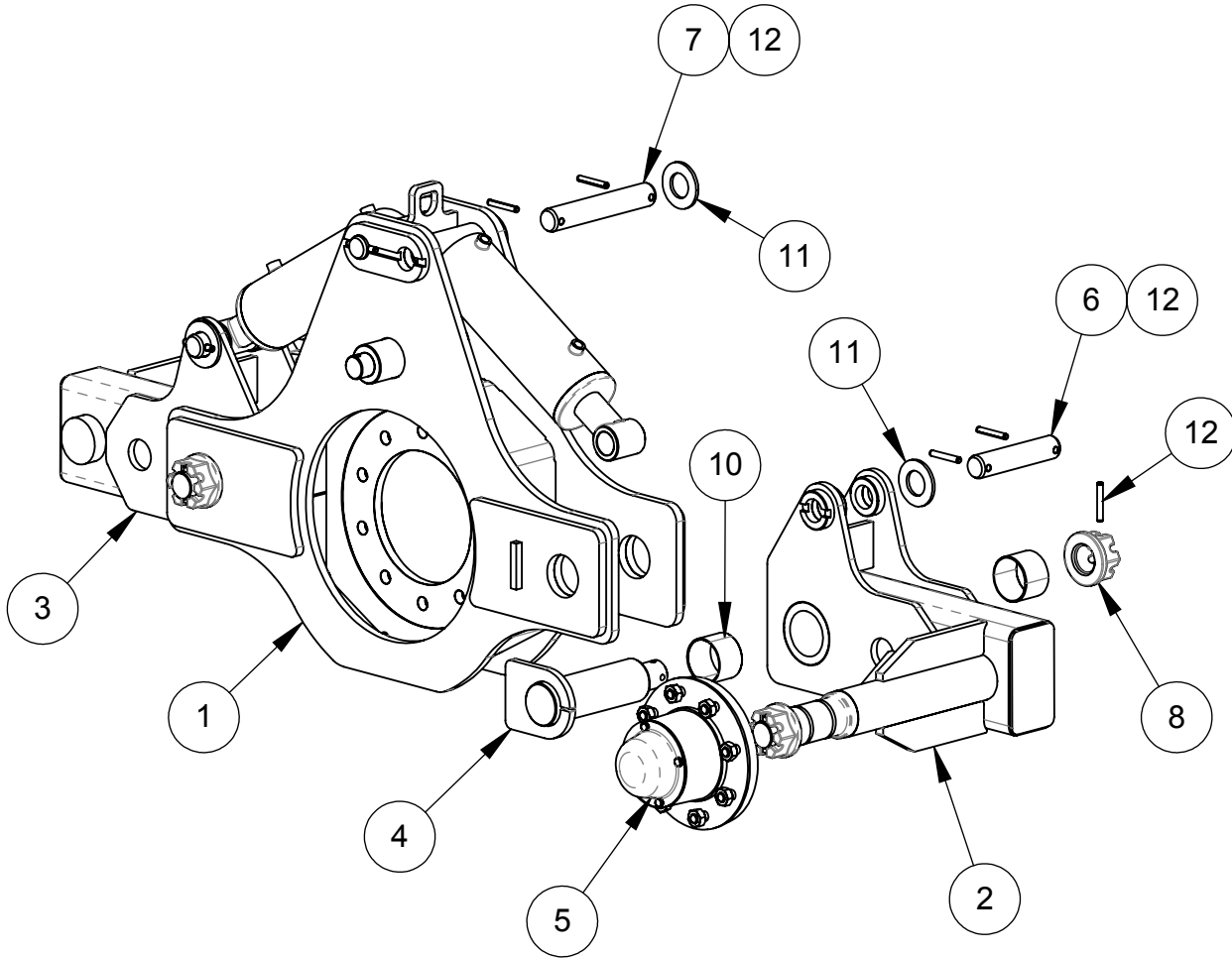
LEFT AJUSTABLE TANDEM KIT (SLN) (12,000 LBS)
N03-01E14



ITEM	NO	DESCRIPTION	QTY
1	N-01091	LEFT AJUSTABLE TILT (SLN) (12,000 LBS)	1
2	N-01092	LEFT AJUSTABLE TILT (SLN) (12,000 LBS)	1
3	N-01018	AJUSTABLE ARM	1
4	N-01019	AJUSTABLE ARM (ROD)	1
5	N-25005	PIN 2 3/4" X 9 5/8" LG	1
6	UN-25001-2	PIN 1 1/4" X 8 3/8" (2 HOLES)	1
7	UN-25001-15	PIN 1 1/4" X 7" (2 HOLES)	1
8	01002-5	12,00 LBS HUB	2
9	01008-5	CASTEL NUT 1 3/4-12 UN	1
10	34016-5	PLAIN BEARING G300 2 3/4" ID. X 2" LG	2
11	35012	STRAIGHT GREASE FITTING 1/8 NPT	1
12	47AF10806	HEX JAM NUT 1 1/2-6NC	1
13	49AA060200	SPRING PIN 3/8" x 2"	4
14	49AA060208	SPRING PIN 3/8" X 2 1/2"	1



**RIGHT TILT TANDEM KIT (SLN) (12,000 LBS)
N03-01E15**

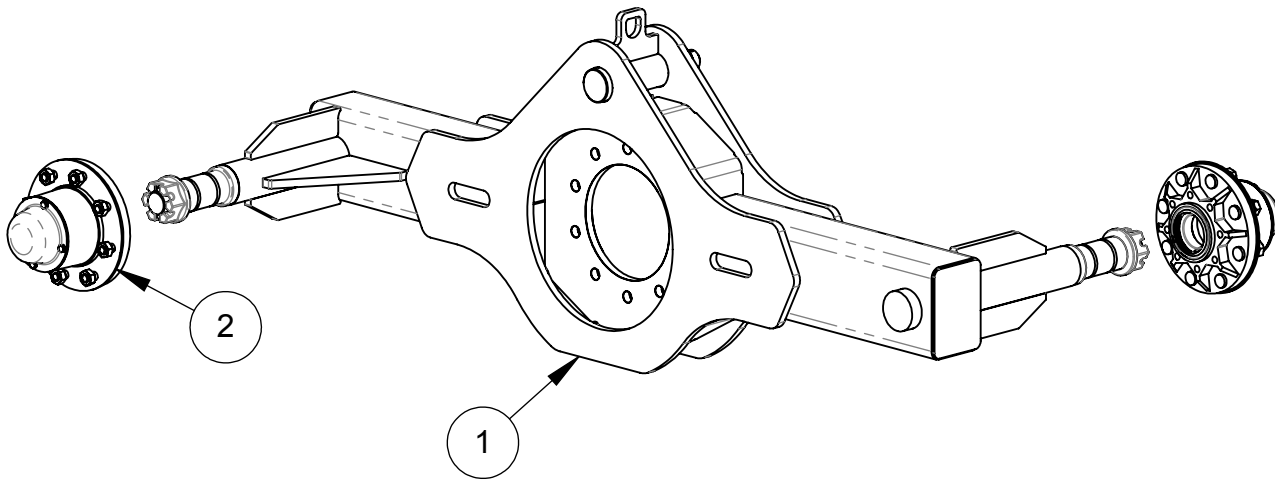


ITEM	NO	DESCRIPTION	QTY
1	N-01023	RIGHT TILT TANDEM (SLN)	1
2	N-01093	RIGHT TILT TANDEM (SLN) (12,000 LBS)	1
3	N-01094	RIGHT TILT TANDEM (SLN) (12,000 LBS)	1
4	N-25005	PIN 2 3/4" X 9 5/8" LG	2
5	01002-5	12,00 LBS HUB	2
6	UN-25001-18	PIN 1 1/2" X 7" (2 HOLES)	2
7	UN-25001-17	PIN 1 1/2" X 9" (2 HOLES)	2
8	01008-5	CASTEL NUT 1 3/4-12 UN	2
9	30004	HYD. CYLINDER 4" X 8" (BUSHING)	2
10	34016-5	PLAIN BEARING G300 2 3/4" ID. X 2" LG	4
11	46AB108	HARDENED FLAT WASHER 1 1/2"	4
12	49AA060208	SPRING PIN 3/8" X 2 1/2"	10



LEFT FIXE TANDEM (SLN) (12,000 LBS)

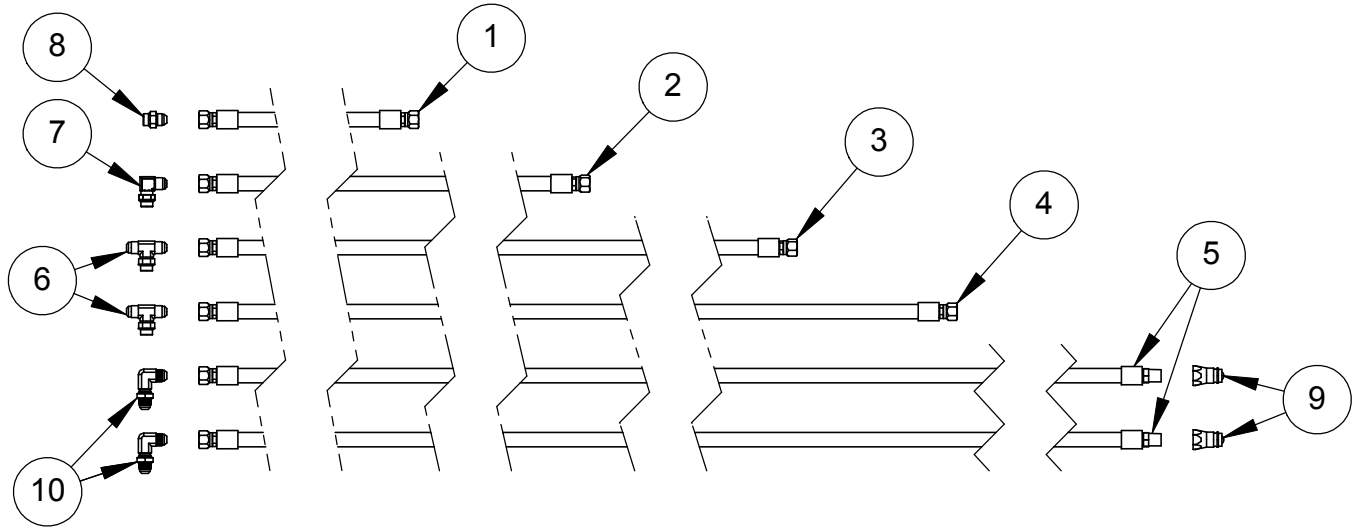
N03-01E21



ITEM	NO	DESCRIPTION	QTY
1	N-01106	LEFT FIXED TANDEM (SLN) (12,000 LBS)	1
2	01002-5	12,00 LBS HUB	2



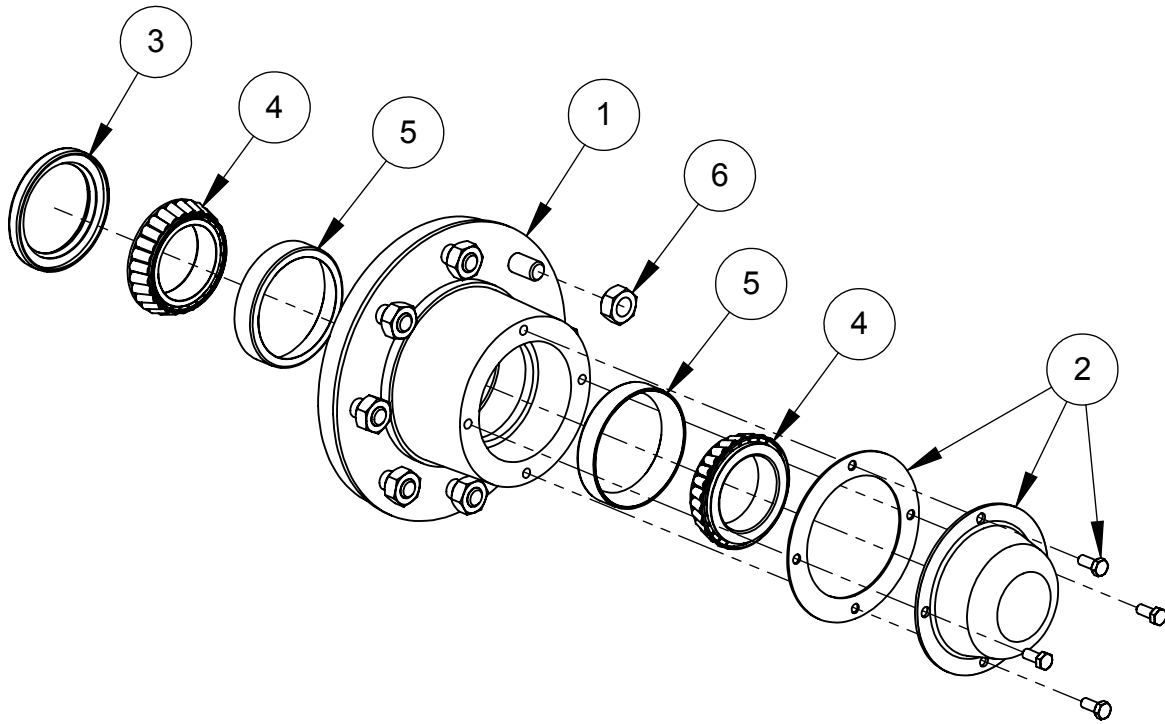
HYDRAULIC HOSES KIT SLN18 (TANDEM) N0318-29E02



#	P. NUMBER	DESCRIPTION	QTY
1	UN-29009-018	HYD. HOSE 1/2" LP 1/2" JIC(F) x 1/2" JIC(F) X 18"	1
2	UN-29009-038	HYD. HOSE 1/2" LP 1/2" JIC(F) x 1/2" JIC(F) X 38"	1
3	UN-29009-142	HYD. HOSE 1/2" LP 1/2" JIC(F) x 1/2" JIC(F) X 142"	1
4	UN-29009-152	HYD. HOSE 1/2" LP 1/2" JIC(F) x 1/2" JIC(F) X 152"	1
5	UN-29008-288	HYD. HOSE 1/2" LP 1/2" JIC(F) x 1/2" NPT(M) X 288"	2
6	31002-5	ADAP. 1/2" JIC (M) / 1/2" ORB(M) / 1/2" JIC(M)(TEE)	2
7	31013-16	ADAP. 1/2" ORB(M) / 1/2" JIC(M)(90)	1
8	31014-14	ADAP. 1/2" JIC(M) / 1/2" ORB(M)(STR)	1
9	31016	QUICK COUPLER MALE 1/2"NPT(F) (S71-4)	2
10	31041-2	BULK HEAD ADAPT. 1/2" JIC(M) X 1/2" JIC(M) (90) (LOCK NUT)	2



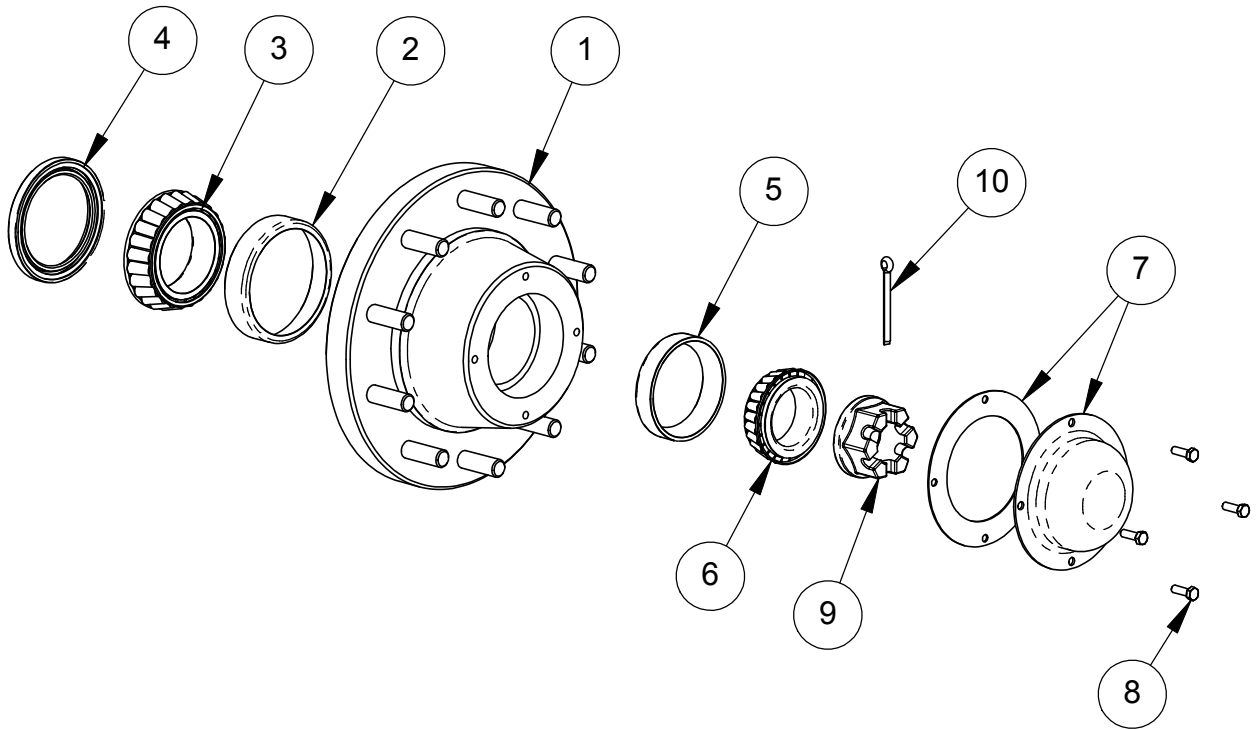
**12,00 LBS HUB
01002-5**



#	P. NUMBER	DESCRIPTION	QTY
1	01004-5	HUB BODY 12000 LBS	1
2	01006-5	12000 LBS HUB DUST CAP	1
3	01010-2	DUST SEAL 2.75 ID X 3.75 OD (12000 LBS HUB)	1
4	34008-6	TAPER BEARINF 2.470" ID.	2
5	34009-6	CONE CUP 3.9375" OD	2
6	01007-2	5/8" HUB NUT	8



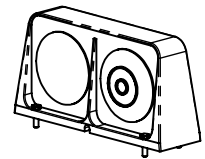
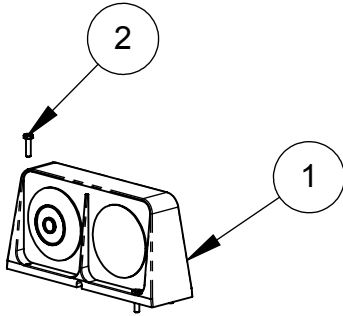
**16000 LBS HUB
01002-4**



#	P. NUMBER	DESCRIPTION	QTY
1	01004-4	16,000 LBS HUB	1
2	34009-8	BEARING CUP 5.25"	1
3	34008-8	CONE BEARING 3.25" ID.	1
4	34010-5	OIL SEAL	1
5	34009-9	BEARING CUP 4.43" O.D.	1
6	34008-9	CONE BEARING 2.500" I.D.	1
7	01006-4	DUST CAP 16.000 LBS HUB	1
8	45AA005180100	HEX BOLT 5/16-18NC x 1" GR5	4
9	01008-5	CASTEL NUT 1 3/4-12 UN	1
10	49AC	CUTTER PIN 5/16" X 3" LG.	1



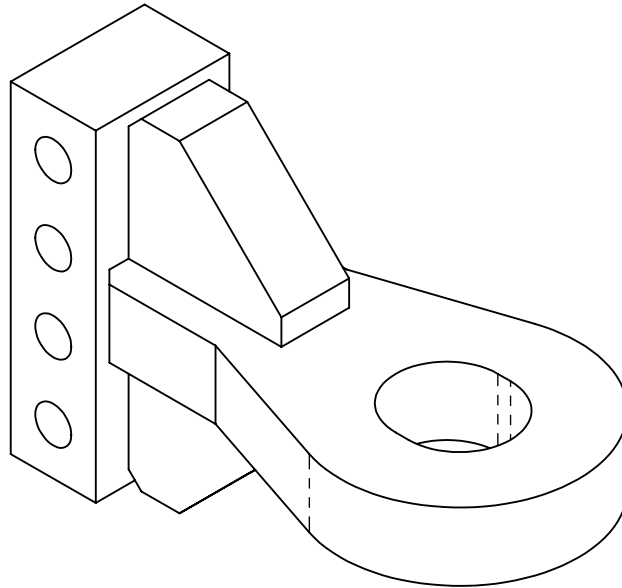
SECURITY LIGHT KIT N-32E01



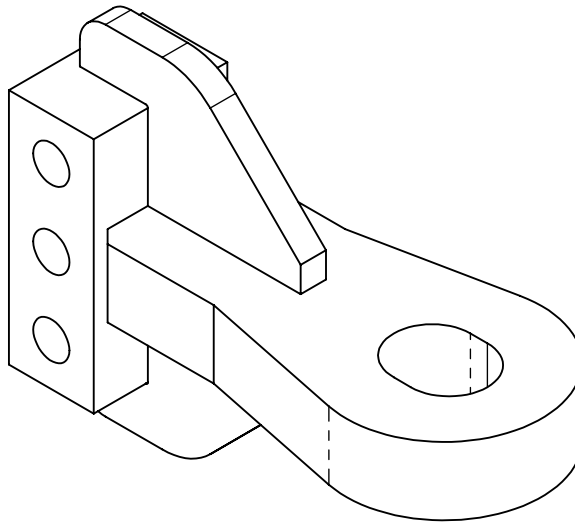
#	P. NUMBER	DESCRIPTION	QTY
1	32002	SECURITY LIGHT KIT	1
2	45AA004200100	HEX BOLT 1/4-20NC x 1" GR5	8



HITCH CAT. 4 AND 5



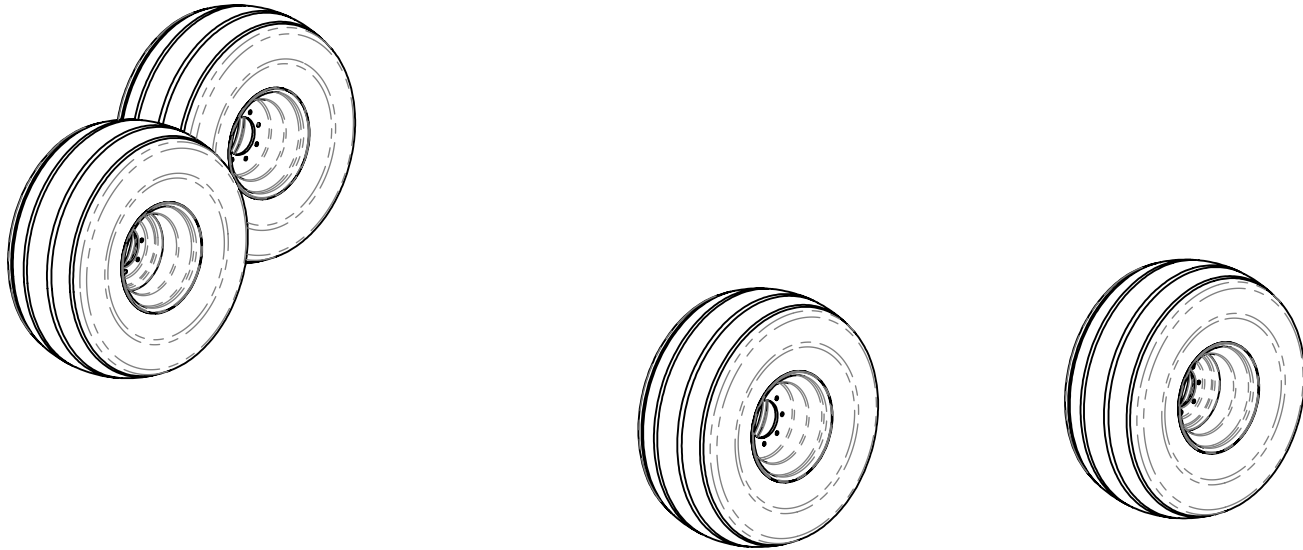
#	NO PIECE	DESCRIPTION	QTE
1	UN-20042	HITCH CAT.5 (WELD)	1



#	NO PIECE	DESCRIPTION	QTE
1	UN-20033	HITCH CAT.4 (WELD)	1



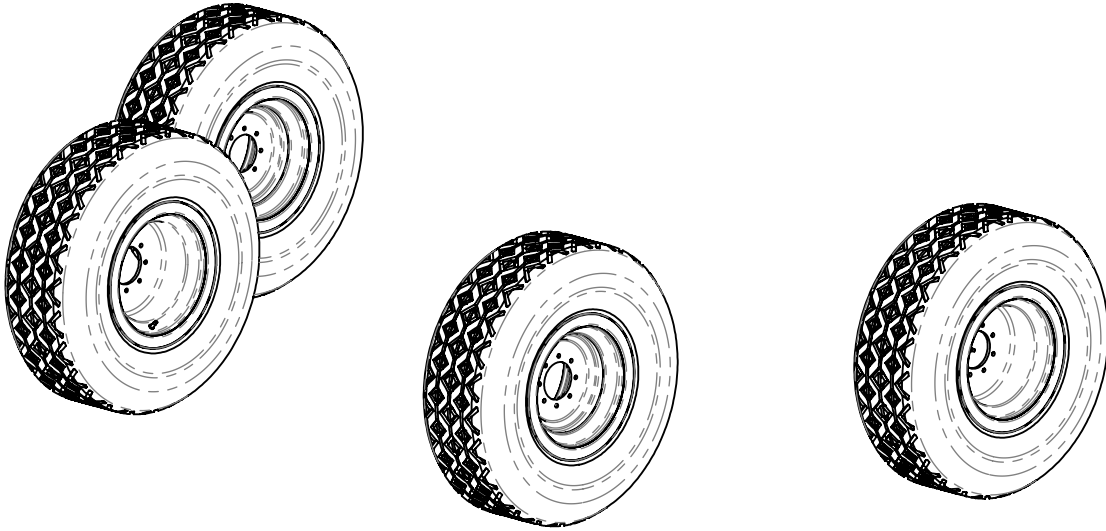
**SLN LAND LEVELER AGRICULTURAL TIRE KIT
N03-03E01**



ITEM	NO	DESCRIPTION	QTY
1	03005	TIRE & WHEEL 16.5 X 16.1 TL	4



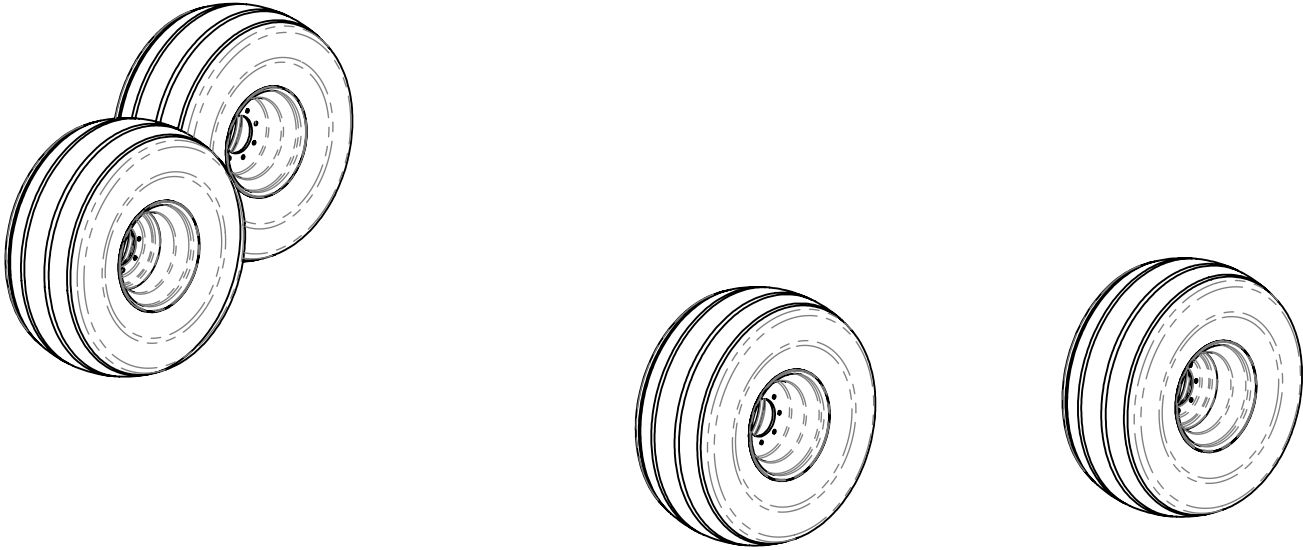
SLN LAND LEVELER USED INDUSTRIAL TIRE KIT N03-03E02



ITEM	NO	DESCRIPTION	Qty
1	03010	USED TIRE AND WHEEL 425/65R22.5 (TRUCK)	4



SLN LAND LEVELER AGRICULTURAL SURE GRIP TIRE KIT N03-03E03



ITEM	NO	DESCRIPTION	QTY
1	03014	TIRE AND WHEEL 400/55/22.5 (SURE GRIP LUG)	4



Fabrication SHoule limited guarantee on agricultural and commercial equipment

Fabrication SHoule Inc guarantees every new farm and commercial product of the manufacturer SHoule against any defect of material and manufacturing, within the framework of a normal use, during one year after the date of retail purchase SHoule will guarantee its product for (1) year, on parts and imperfection of manufacturing This Limited

Guarantee will apply only to equipments made by S.Houle

EQUIPMENT AND ACCESSORIES WHICH ARE NOT MADE BY S HOULE ARE GUARANTEED ONLY IN THE MEASURE WHICH THE GUARANTEE OF THE ORIGINAL MANUFACTURER DETERMINES AND APPROVES THAT THERE IS A MANUFACTURING DEFECT

During the period limited by guarantee indicated above, any defect in the material (equipment) or in the manufacturing of any equipment fabricated by S.Houle will be repaired or replaced without responsibility by an authorized independent retailer. An authorized retailer has to make the repair under guarantee or the replacement of parts. The costs of labour must be approved by manufacturing SHoule before beginning (undertaking) the works otherwise these could be totally refused, according to the politics (policy) of working refund (repayment) of S.Houle SHoule reserves the right to supply parts, for replacement which he (it) considers appropriate

RESPONSIBILITY OF THE BUYER: This limited guarantee requires (demands) the appropriate maintenance and the overhauls of the agricultural or commercial equipment such as indicated in operator manual supplied with the new equipment. The cost of the regular maintenance or the required services is the responsibility of the buyer. The buyer has to keep his invoices which prove that the maintenance was made

The limited guarantee may be revoked (dismissed) by Fabrication S.Houle if the above mentioned conditions (requirements) are not respected.

EXCLUSIONS AND LIMITATIONS

Guarantees WILL NOT APPLY on:

- 1 Any defect which was caused (according to the judgment of SHoule by a use other than that normally planned, or by the following causes: (i) accident (ii) a misuse or a carelessness (negligence) (iii) excessive use (iiii) lack of reasonable and appropriate maintenance, (v) incorrect repair or bad installation (vi) or when warehoused (stored away) (vii) modification not authorized by SHoule (viii) natural disasters (ix) vandalism (x) parts, or accessories installed on the equipment which were not made or not installed by the authorized retailer (xi) elements (xii) collision or accidents
- 2 Any agricultural or commercial equipment which the identification number or serial number or the trade names were changed or removed
- 3 Any agricultural or commercial equipment on services of which the required or recommended overhaul were executed by using parts not made, approved or supplied by SHoule or not meeting the specifications, but without limitation, lubricants (oil, grease) and liquids for hydraulics
- 4 The equipment used for rental, industrial work, construction or if the equipment is used for a purpose other than the application in which it was designated (design) for by SHoule
- 5 Any equipment used for field demonstrations by a retailer not approved by S.Houle. The guarantee will be to the discretion of S.Houle or any other demonstration
- 6 Any defect which was caused (according to the judgment of S.Houle) by the operation of the equipment without submitting itself to the standard (in the standard) procedures of exploitation (operation) described in operator manual
- 7 The guarantee on tires is the responsibility of the manufacturer of the respective product
- 8 Cost of the transport, if necessary, to transport to the retailer S.Houle
- 9 In no case the responsibility of S.Houle can exceed the cost of the product
- 10 SHoule will be subjected in no circumstances to compensate, whoever it is, for the loss of income for a discontinued equipment, for a time of the repairs no matter the reason for this breakdown.
- 11 The costs of estimation or the diagnostic and the overtime of work for the repair are not covered under this limited guarantee policy.
- 12 The depreciation caused by the normal wear, the lack of reasonable and appropriate maintenance, the misuse, and/or the lack of protection during warehousing
- 13 Accessories and electronic components which are not of or from S.Houle are guaranteed only under the limited guarantee by this manufacturer.
- 14 Articles of wear which are registered by the group of products below:

Normal wear parts: flow divider, wear plates, the bolts, the nuts, spring blades, the swivel skid shoe, the special bolts of swivelling skid shoe, slide channels, chains and chain attachments, cast iron shoe, hydraulic hoses, swivel, clutch and their components, the gear box, the shaft, ...

EXCLUSION FROM GUARANTEES: SHOULE RESERVES THE RIGHT TO MODIFY, TO CHANGE AND TO IMPROVE THEIR PRODUCTS WITHOUT INCURRING ANY OBLIGATION TO REPLACE PRODUCTS PREVIOUSLY SOLD WITH SUCH A MODIFICATION. NO PERSON IS AUTHORIZED TO GIVE ANOTHER GUARANTEE, OR TO ASSUME ANY ADDITIONAL OBLIGATION ON EQUIPMENTS MADE BY S.HOULE



Fabrication S.Houle inc.

300 Industrial blvd. P.O. box 750
St-Germain-de-Grantham, Quebec, Canada, J0C 1K0
Phone : 819 395-4380 Fax. : 819 395-5516
Toll free : 1 888-404-4380
E-Mail : info@shoule.com Web : www.shoule.com

Product Registration

Dealer instructions:
Make sure registration is complete and signed.

Product Information :

MACHINE MODEL : _____ DELIVERY DATE : _____ / _____ / _____
mm dd yyyy
SERIAL NUMBER : _____
OPTIONAL EQUIPMENT : _____

Customer Information :

FIRST & LAST NAME : _____ PHONE : _____
MAILING ADDRESS : _____ EMAIL : _____
Civic number and street
City
State / Province Zip Code

Dealer Information :

DEALER NAME : _____ PHONE : _____
MAILING ADDRESS : _____ EMAIL : _____
Civic number and street
City
State / Province Zip Code

Signatures :

Owner or designated representative signature

Authorized dealer signature
Note : Both dealer and owner must sign in order to validate the warranty.

I hereby acknowledge that:

- | | |
|--|--|
| <ol style="list-style-type: none">1. I have received and accepted delivery of equipment described.2. The equipment was checked thoroughly for loose or missing parts and has been adjusted in accordance with the pre-delivery checklist.3. I have been provided with and have carefully read the instruction manual.4. I have read and understand the nature and extent of the warranty and understand clearly that there were and are no other representations or warranties, either express or implied, made by anyone.5. A copy of the present document must be completed and transmitted to Fa- | <ol style="list-style-type: none">6. brication S.Houle as soon as possible, in order to process your warranty.6. I have been advised on proper operation, maintenance and lubrication procedures of this equipment.7. I have been instructed on and do understand the application, limitations and capacities this equipment was designed and recommended for, all as described in the Instruction Manual and other literature published by Fabrication S.Houle inc. |
|--|--|

ONE YEAR WARRANTY COVER PARTS ONLY, EFFECTIVE WHEN THIS FORM HAS ALL APPLICABLE INFORMATION COMPLETED, IS SIGNED BY BOTH THE OWNER AND THE DEALER AT THE TIME OF DELIVERY, THEN FORWARDED TO **FABRICATION S.HOULE INC.** WARRANTY SERVICE MAY BE DENIED IF THIS FORM CONTAINS FALSE INFORMATION OR IS INCOMPLETE.



Fabrication S.Houle inc.

300 boul. Industriel, boîte postale 750
St-Germain-de-Grantham, Québec, Canada, J0C 1K0
Tél : 819 395-4380 Téléc. : 819 395-5516
Sans frais : 1 888-404-4380
Courriel : info@shoule.com Site : www.shoule.com

Fabrication S.Houle inc.

300 Industrial blvd, C P 750
St-Germain-de-Grantham, Québec, Canada, J0C 1K0T
Phone : 819 395-4380 Fax. : 819 395-5516
Toll free : 1 888-404-4380
E-mail : info@shoule.com Web : www.shoule.com